



OmegaOne

Fittings.
Made.
Easy.



AMFM Braid Bands
Stainless Steel Tube
and Pipe Fittings



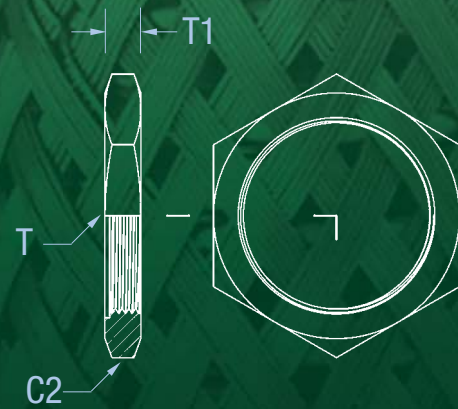
TX Flared Fittings

BN

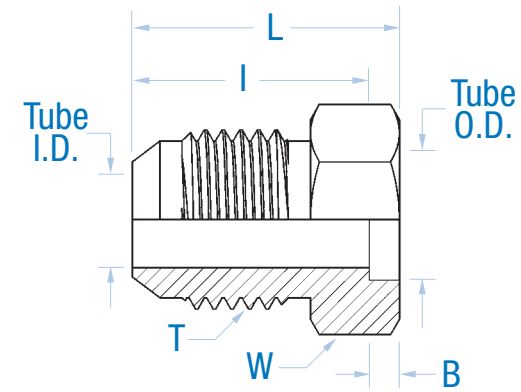
306
MS51860
SAE 080118

Part #	Tube O.D.	T	C2 Hex	T1
BN-3	3/16	3/8-24	5/8	.22
BN-4	1/4	7/16-20	11/16	.28
BN-5	5/16	1/2-20	3/4	.28
BN-6	3/8	9/16-18	13/16	.27
BN-8	1/2	3/4-16	1	.31
BN-10	5/8	7/8-14	1 1/8	.36
BN-12	3/4	1 1/16-12	1 3/8	.41
BN-14	7/8	1 3/16-12	1 1/2	.41
BN-16	1	1 5/16-12	1 5/8	.41
BN-20	1 1/4	1 5/8-12	1 7/8	.41
BN-24	1 1/2	1 7/8-12	2 1/8	.41
BN-32	2	2 1/2-12	2 3/4	.41

Bulkhead Locknut • Bulkhead Fitting Locknut



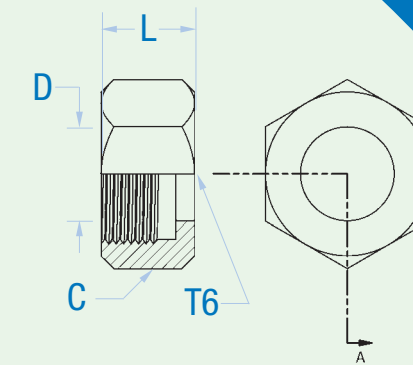
403



O.D. Socket • Weld x Male Flare

Tube Fitting Part #	Tube O.D.	T	B	ID-Tube	I	L	W
403-4	1/4	7/16-20	.16	1/4	.550	.74	1/2
403-6	3/8	9/16-18	.16	3/8	.556	.81	5/8
403-8	1/2	3/4-16	.16	1/2	.657	.94	1 3/16
403-12	3/4	1 1/16-12	.25	3/4	.864	1.24	1 1/8
403-16	1	1 5/16-12	.25	1	.911	1.29	1 3/8
403-20	1 1/4	1 5/8-12	.25	1 1/4	.958	1.40	1 11/16
403-24	1 1/2	1 7/8-12	.25	1 1/2	1.083	1.58	2
403-32	2	2 1/2-12	.25	2	1.333	1.96	2 5/8

TX-N



Nut • Flare Tube End Nut

Tube Fitting Part #	Tube O.D.	T6 UN/UNF-2B	C Hex	D	L
TX-2-N	1/8	5/16-24	3/8	.179	.550
TX-3-N	3/16	3/8-24	7/16	.241	.610
TX-4-N	1/4	7/16-20	9/16	.304	.620
TX-5-N	5/16	1/2-20	5/8	.373	.680
TX-6-N	3/8	9/16-18	11/16	.439	.730
TX-8-N	1/2	3/4-16	7/8	.568	.850
TX-10-N	5/8	7/8-14	1	.696	.980
TX-12-N	3/4	1 1/16-12	1 1/4	.832	1.030
TX-14-N	7/8	1 3/16-12	1 3/8	.959	1.090
TX-16-N	1	1 5/16-12	1 1/2	1.087	1.130
TX-20-N	1 1/4	1 5/8-12	2	1.344	1.230
TX-24-N	1 1/2	1 7/8-12	2 1/4	1.614	1.420
TX-32-N	2	2 1/2-12	2 7/8	2.164	1.750

Flared Fittings

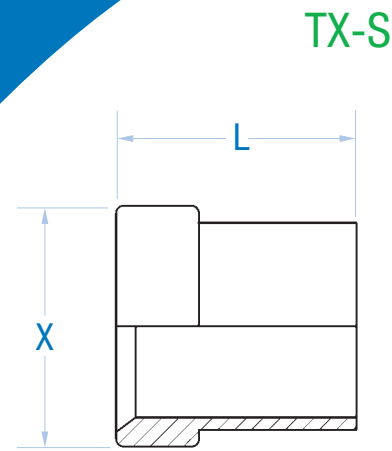
TX

403

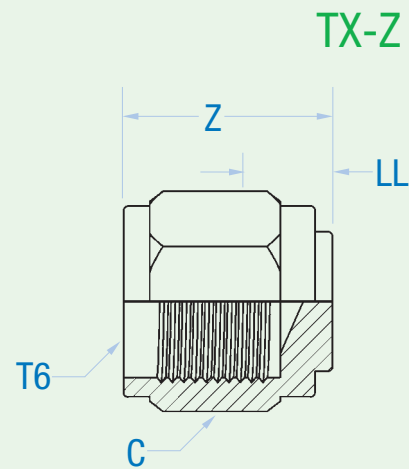
TX-N

318
MS51531
SAE 070110

Call toll free:
800.333.2636

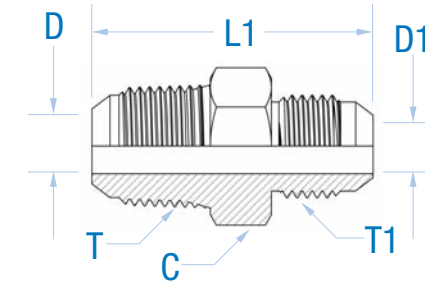


TX-S

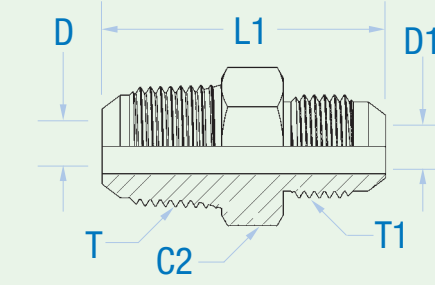


TX-Z

TX-U



TX-LHU



TX-S

Sleeve • Flare Tube End Sleeve

319
MS51533
SAE 070115

Tube Fitting Part #	Tube O.D.	L	X
TX-2-S	1/8	.34	.267
TX-3-S	3/16	.34	.329
TX-4-S	1/4	.41	.383
TX-5-S	5/16	.44	.445
TX-6-S	3/8	.50	.502
TX-8-S	1/2	.56	.682
TX-10-S	5/8	.66	.797
TX-12-S	3/4	.69	.972
TX-14-S	7/8	.75	1.097
TX-16-S	1	.78	1.222
TX-20-S	1 1/4	.91	1.534
TX-24-S	1 1/2	1.13	1.784
TX-32-S	2	1.19	2.409

TX-Z

Cap • Flare Tube End Cap

304-C
MS51532
SAE 070112

Tube Fitting Part #	Tube O.D.	T6 UN/UNF-2B	C Hex	LL	Z	Dynamic Pressure Rating
TX-2-Z	1/8	5/16-24	3/8	.375	.601	7700
TX-3-Z	3/16	3/8-24	7/16	.375	.662	7700
TX-4-Z	1/4	7/16-20	9/16	.344	.673	7700
TX-5-Z	5/16	1/2-20	5/8	.406	.766	7700
TX-6-Z	3/8	9/16-18	11/16	.469	.806	7700
TX-8-Z	1/2	3/4-16	7/8	.531	.942	7700
TX-10-Z	5/8	7/8-14	1	.531	1.067	6000
TX-12-Z	3/4	1 1/16-12	1 1/4	.656	1.243	6000
TX-14-Z	7/8	1 3/16-12	1 3/8	.625	1.258	4800
TX-16-Z	1	1 5/16-12	1 1/2	.625	1.290	4800
TX-20-Z	1 1/4	1 5/8-12	2	.750	1.392	3600
TX-24-Z	1 1/2	1 7/8-12	2 1/4	.938	1.701	2400
TX-32-Z	2	2 1/2-12	2 7/8	1.188	2.071	1800

*LL - END TO BASE OF MATING FLARE SEAT

Union • Flare Tube End/Flare Tube End

Tube Fitting Part #	Tube O.D.	T Tube End UN/UNF-2A	T1 Tube End UN/UNF-2B	C Hex	D Drill	D1 Drill	L1	Dynamic Pressure Rtg
TX-2-U	1/8	5/16-24	5/16-24	7/16	.062	.062	1.17	7700
TX-3-U	3/16	3/8-24	3/8-24	7/16	.125	.125	1.23	7700
TX-4-U	1/4	7/16-20	7/16-20	1/2	.172	.172	1.38	7700
TX-5-U	5/16	1/2-20	1/2-20	9/16	.234	.234	1.38	7700
TX-6-U	3/8	9/16-18	9/16-18	5/8	.297	.297	1.41	7700
TX-6-4-U	3/8	9/16-18	7/16-20	5/8	.297	.172	1.41	7700
TX-8-U	1/2	3/4-16	3/4-16	13/16	.391	.391	1.62	7700
TX-8-6-U	1/2	3/4-16	9/16-18	13/16	.391	.297	1.52	7700
TX-10-U	5/8	7/8-14	7/8-14	15/16	.484	.484	1.88	6000
TX-10-8-U	5/8	7/8-14	3/4-16	15/16	.484	.391	1.78	6000
TX-12-U	3/4	1 1/16-12	1 1/16-12	1 1/8	.609	.609	2.16	6000
TX-12-8-U	3/4	3/4-16	3/4-16	1 1/8	.609	.391	1.95	6000
TX-12-10-U	3/4	7/8-14	7/8-14	1 1/8	.609	.484	2.05	6000
TX-14-U	7/8	1 3/16-12	1 3/16-12	1 1/4	.718	.718	2.22	4800
TX-16-U	1	1 5/16-12	1 5/16-12	1 3/8	.844	.844	2.25	4800
TX-16-12-U	1	1 1/16-12	1 1/16-12	1 3/8	.609	.609	2.20	4800
TX-20-U	1 1/4	1 5/8-12	1 5/8-12	1 11/16	1.078	1.078	2.44	3600
TX-24-U	1 1/2	1 7/8-12	1 7/8-12	2	1.312	1.312	2.75	2400
TX-32-U	2	2 1/2-12	2 1/2-12	2 5/8	1.781	1.781	3.41	1800

TX-U

2403
MS 51501
SAE 070101

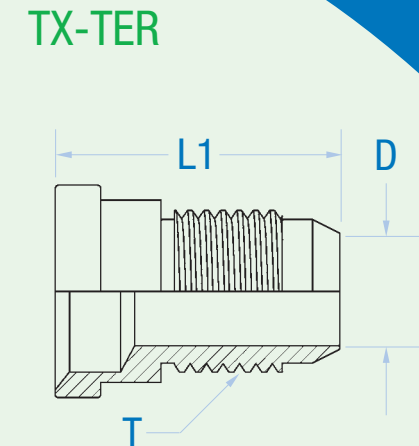
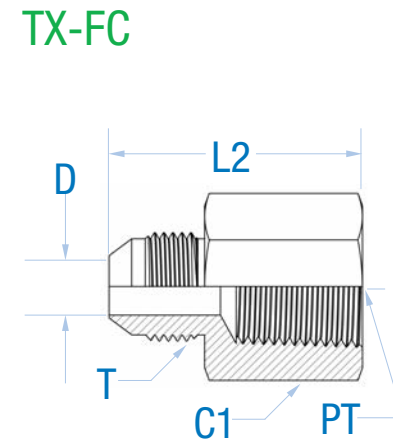
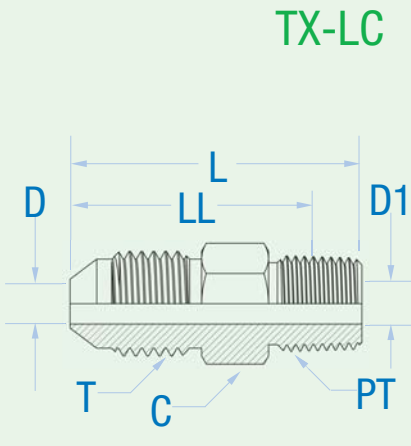
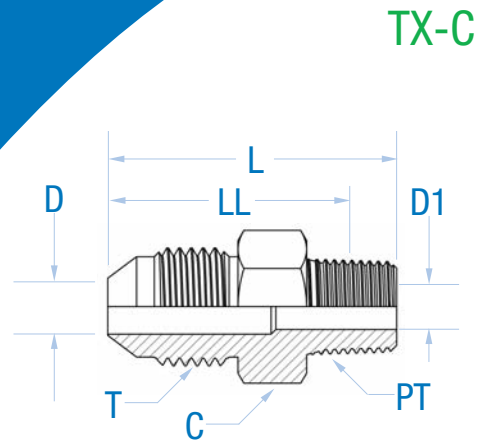
TX-LHU

Large Hex Union • Flare Tube End/Flare Tube End

Tube Fitting Part #	Tube O.D.	T Tube End UN/UNF-2A	T1 Tube End UN/UNF-2A	C2 Hex	D Drill	D1 Drill	L1	Dynamic Pressure Rtg.
TX-4-LHU	1/4	7/16-20	7/16-20	11/16	0.172	0.172	1.37	7700
TX-4-3-LHU	1/4 to 3/16	7/16-20	3/8-24	11/16	0.172	0.125	1.30	7700
TX-5-LHU	5/16	1/2-20	1/2-20	3/4	0.234	0.234	1.37	7700
TX-6-LHU	3/8	9/16-18	9/16-18	13/16	0.297	0.297	1.41	7700
TX-6-4-LHU	3/8 to 1/4	9/16-18	7/16-20	13/16	0.297	0.172	1.41	7700
TX-8-LHU	1/2	3/4-16	3/4-16	1	0.391	0.391	1.62	7700
TX-8-4-LHU	1/2 to 1/4	3/4-16	7/16-20	1	0.391	0.172	1.52	7700
TX-8-6-LHU	3/8 to 3/8	3/4-16	9/16-18	1	0.391	0.297	1.52	7700
TX-10-LHU	3/4	7/8-14	7/8-14	1 1/8	0.484	0.484	1.88	6000
TX-12-LHU	3/4	1 1/16-12	1 1/16-12	1 3/8	0.609	0.609	2.16	6000
TX-12-8-LHU	3/4 to 1/2	1 1/16-12	3/4-16	1 3/8	0.609	0.391	2.25	6000
TX-16-LHU	1	1 5/16-12	1 5/16-12	1 5/8	0.844	0.844	2.25	4800

C2* - LARGE HEX ALLOWS FOR USE IN MS33649 PORT

2403-LH
MS51519
SAE 070119



TX-C

Male Connector • Flare Tube End/Male Pipe End

2404
MS51500
SAE 070102

Tube Fitting Part #	Tube O.D.	T Tube End UN/UNF-2A	PT PORT THD NPTF	C Hex	D Drill	D1 Drill	L	LL After Assy.	Dynamic Pressure Rtg
TX-2-C	1/8	5/16-24	1/8-27	7/16	.062	.188	1.11	.88	6000
TX-3-C	3/16	3/8-24	1/8-27	7/16	.125	.188	1.14	.91	6000
TX-4-C	1/4	7/16-20	1/8-27	1/2	.172	.188	1.22	.99	6000
TX-4-4-C	1/4	7/16-20	1/4-18	9/16	.172	.281	1.42	1.08	6000
TX-4-6-C	1/4	7/16-20	3/8-18	3/4	.172	.406	1.44	1.09	6000
TX-4-8-C	1/4	7/16-20	1/2-14	7/8	.172	.531	1.69	1.23	6000
TX-5-C	5/16	1/2-20	1/8-27	9/16	.234	.188	1.22	.99	6000
TX-5-4-C	5/16	1/2-20	1/4-18	9/16	.234	.281	1.42	1.08	6000
TX-6-C	3/8	9/16-18	1/4-18	5/8	.297	.281	1.43	1.09	6000
TX-6-2-C	3/8	9/16-18	1/8-27	5/8	.297	.188	1.24	1.01	6000
TX-6-6-C	3/8	9/16-18	3/8-18	3/4	.297	.406	1.44	1.09	6000
TX-6-8-C	3/8	9/16-18	1/2-14	7/8	.297	.531	1.69	1.23	6000
TX-8-C	1/2	3/4-16	3/8-18	13/16	.391	.406	1.53	1.18	6000
TX-8-4-C	1/2	3/4-16	1/4-18	13/16	.391	.281	1.53	1.19	6000
TX-8-8-C	1/2	3/4-16	1/2-14	7/8	.391	.531	1.78	1.32	6000
TX-8-12-C	1/2	3/4-16	3/4-14	1 1/8	.391	.719	1.85	1.37	4800
TX-10-C	5/8	7/8-14	1/2-14	15/16	.484	.531	1.89	1.43	6000
TX-10-6-C	5/8	7/8-14	3/8-18	15/16	.484	.406	1.70	1.35	6000
TX-10-12-C	5/8	7/8-14	3/4-14	1 1/8	.484	.719	1.95	1.47	4800
TX-12-C	3/4	1 1/16-12	3/4-14	1 1/8	.609	.719	2.06	1.58	4800
TX-12-8-C	3/4	1 1/16-12	1/2-14	1 1/8	.609	.531	2.06	1.60	5400
TX-12-16-C	3/4	1 1/16-12	1-11 1/2	1 3/8	.609	.938	2.25	1.68	3600
TX-14-C	7/8	1 3/16-12	3/4-14	1 1/4	.718	.719	2.09	1.61	4200
TX-16-C	1	1 5/16-12	1-11 1/2	1 3/8	.844	.938	2.30	1.73	3600
TX-16-12-C	1	1 5/16-12	3/4-14	1 3/8	.844	.719	2.11	1.63	4200
TX-20-C	1 1/4	1 5/8-12	1 1/4-11 1/2	1 11/16	1.078	1.250	2.45	1.86	3000
TX-20-16-C	1 1/4	1 5/8-12	1-11 1/2	1 11/16	1.078	.938	2.42	1.85	3600
TX-24-C	1 1/2	1 7/8-12	1 1/2-11 1/2	2	1.312	1.500	2.67	2.08	2400
TX-24-20-C	1 1/2	1 7/8-12	1 1/4-11 1/2	2	1.312	1.250	2.66	2.07	2400
TX-32-C	2	2 1/2-12	2-11 1/2	2 5/8	1.781	1.938	3.11	2.50	1800

*D MAY BE SUBSTITUTED FOR D1 WHERE D IS SMALLER THAN D1

TX-LC

Long Male Connector • Flare Tube End/Flare Tube End

2404-L
SAE 071802

Tube Fitting Part #	Tube O.D.	T Tube End UN/UNF-2A	PT NPTF	C Hex	D Drill	D1 Drill	L	LL	Dynamic Pressure Rtg
TX-4-LC	1/4	7/16-20	1/8-27	1/2	.172	.172	1.810	1.58	6000
TX-4-4-LC	1/4	7/16-20	1/4-18	9/19	.172	.172	2.250	1.91	6000
TX-6-LC	3/8	9/16-18	1/4-18	5/8	.297	.281	2.250	1.91	6000
TX-6-6-LC	3/8	9/16-18	3/8-18	3/4	.297	.297	2.500	2.15	6000
TX-8-LC	1/2	3/4-16	3/8-18	13/16	.391	.406	2.750	2.40	6000
TX-8-8-LC	1/2	3/4-16	1/2-14	15/16	.531	.391	2.800	2.34	6000
TX-10-LC	5/8	7/8-14	1/2-14	15/16	.484	.531	3.120	2.66	6000
TX-12-LC	3/4	1 1/16-12	3/4-14	1 1/8	.609	.609	3.500	3.02	4800

TX-FC

Female Connector • Flare Tube End/Female Pipe End

2405
MS51503
SAE 070103

Tube Fitting Part #	Tube O.D.	T Tube End UN/UNF-2A	PT Port Thread NPTF	C1 Hex	D Drill	L2	Dynamic Pressure Rtg
TX-2-FC	1/8	5/16-24	1/8-27	9/16	.062	1.13	6000
TX-3-FC	3/16	3/8-24	1/8-27	9/16	.125	1.13	6000
TX-4-FC	1/4	7/16-20	1/8-27	9/16	.172	1.19	6000
TX-4-4-FC	1/4	7/16-20	1/4-18	3/4	.172	1.39	6000
TX-5-FC	5/16	1/2-20	1/8-27	9/16	.234	1.17	6000
TX-5-4-FC	5/16	1/2-20	1/4-18	3/4	.234	1.39	6000
TX-6-FC	3/8	9/16-18	1/4-18	3/4	.297	1.41	6000
TX-6-6-FC	3/8	9/16-18	3/8-18	7/8	.297	1.47	6000
TX-8-FC	1/2	3/4-16	3/8-18	7/8	.391	1.56	6000
TX-8-8-FC	1/2	3/4-16	1/2-14	1 1/8	.391	1.79	6000
TX-10-FC	5/8	7/8-14	1/2-14	1 1/8	.484	1.89	6000
TX-12-FC	3/4	1 1/16-12	3/4-14	1 3/8	.609	2.06	4800
TX-12-8-FC	3/4	1 1/16-12	1/2-14	1 1/8	.609	1.91	5400
TX-14-FC	7/8	1 3/16-12	3/4-14	1 3/8	.718	2.06	4200
TX-16-FC	1	1 5/16-12	1-11 1/2	1 5/8	.844	2.34	3600
TX-20-FC	1 1/4	1 5/8-12	1 1/4-11 1/2	2	1.078	2.48	3000
TX-24-FC	1 1/2	1 7/8-12	1 1/2-11 1/2	2 3/8	1.312	2.63	2400
TX-32-FC	2	2 1/2-12	2-11 1/2	2 7/8	1.781	2.97	1800

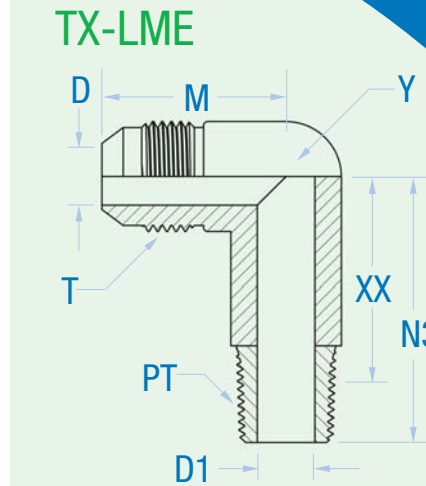
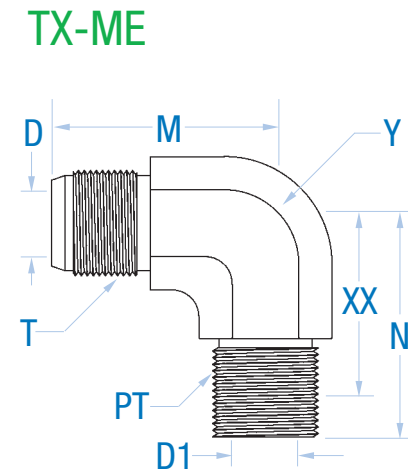
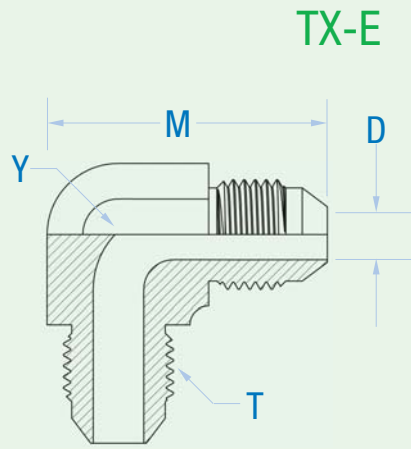
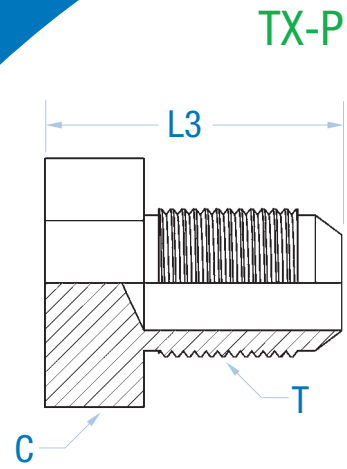
TX-TER

Tube End Reducer • Assembles to Flare End to Reduce Size

2406
MS51534

Tube Fitting Part #	Tube O.D. Reduction	T Tube End UN/UNF-2A	D Drill	L1	Dynamic Pressure Rtg
TX-4-2-TER	1/4 to 1/8	5/16-24	.062	.69	7700
TX-6-4-TER	3/8 to 1/4	7/16-20	.172	.90	7700
TX-8-4-TER	1/2 to 1/4	7/16-20	.172	.91	7700
TX-8-6-TER	1/2 to 3/8	9/16-18	.297	.91	7700
TX-10-4-TER	5/8 to 1/4	7/16-20	.172	.95	6000
TX-10-6-TER	5/8 to 3/8	9/16-18	.297	.95	6000
TX-10-8-TER	5/8 to 1/2	3/4-16	.391	.88	6000
TX-12-4-TER	3/4 to 1/4	7/16-20	.172	.98	6000
TX-12-6-TER	3/4 to 3/8	9/16-18	.297	.98	6000
TX-12-8-TER	3/4 to 1/2	3/4-16	.391	1.08	6000
TX-12-10-TER	3/4 to 5/8	7/8-14	.484	1.04	6000
TX-14-6-TER	7/8 to 3/8	9/16-18	.297	1.01	4800
TX-14-10-TER	7/8 to 5/8	7/8-14	.484	1.22	4800
TX-14-12-TER	7/8 to 3/4	1 1/16-12	.609	1.20	4800
TX-16-8-TER	1 to 1/2	3/4-16	.391	1.15	4800
TX-16-12-TER	1 to 3/4	1 1/16-12	.609	1.36	4800
TX-16-14-TER	1 to 7/8	1 3/16-12	.718	1.23	4800
TX-20-12-TER	1 1/4 to 3/4	1 1/16-12	0.609	1.37	3600
TX-20-16-TER	1 1/4 to 1	1 5/16-12	0.844	1.44	3600
TX-24-20-TER	1 1/2 to 1 1/4	1 5/8-12	1.078	1.47	2400

** DOES NOT CONFORM TO MS/SAE, ***L1-END TO BASE OF FLARE SEAT



TX-P

Plug • Flare Plug

2408
MS51518
SAE 070109

Tube Fitting Part #	Tube O.D.	T UN/UNF-2B	C Hex	L3	Dynamic Pressure Rtg
TX-2-P	1/8	5/16-24	7/16	.70	7700
TX-3-P	3/16	3/8-24	7/16	.73	7700
TX-4-P	1/4	7/16-20	1/2	.80	7700
TX-5-P	5/16	1/2-20	9/16	.80	7700
TX-6-P	3/8	9/16-18	5/8	.84	7700
TX-8-P	1/2	3/4-16	13/16	.94	7700
TX-10-P	5/8	7/8-14	15/16	1.10	6000
TX-12-P	3/4	1 1/16-12	1 1/8	1.28	6000
TX-14-P	7/8	1 3/16-12	1 1/4	1.31	4800
TX-16-P	1	1 5/16-12	1 3/8	1.33	4800
TX-20-P	1 1/4	1 5/8-12	1 11/16	1.45	3600
TX-24-P	1 1/2	1 7/8-12	2	1.66	2400
TX-32-P	2	2 1/2-12	2 5/8	2.05	1800

*DRILL MAY BE PRESENT DUE TO MANUFACTURING OPTION PER SAE J514

TX-E

Union Elbow • Flare Tube End/Flare Tube End

2500
MS51505
SAE 070201

Tube Fitting Part #	Tube O.D.	T Tube End UN/UNF-2A	D Drill	M	Y Across Wrench Flats	Dynamic Pressure Rtg
TX-2-E	1/8	5/16-24	.062	.770	7/16	7700
TX-3-E	3/16	3/8-24	.125	.830	7/16	7700
TX-4-E	1/4	7/16-20	.172	.890	7/16	7700
TX-5-E	5/16	1/2-20	.234	.950	9/16	6000
TX-6-E	3/8	9/16-18	.297	1.060	9/16	6000
TX-8-E	1/2	3/4-16	.391	1.250	3/4	6000
TX-10-E	5/8	7/8-14	.484	1.450	7/8	5000
TX-12-E	3/4	1 1/16-12	.609	1.660	1 1/16	5000
TX-14-E	7/8	1 3/16-12	.718	1.800	1 3/16	3500
TX-16-E	1	1 5/16-12	.844	1.810	1 5/16	3500
TX-20-E	1 1/4	1 5/8-12	1.078	2.060	1 5/8	3000
TX-24-E	1 1/2	1 7/8-12	1.312	2.330	1 7/8	2000
TX-32-E	2	2 1/2-12	1.781	3.060	2 1/2	1500

TX-ME

Male Elbow • Flare Tube End/Male Pipe End

2501
MS51504
SAE 070202

Tube Fitting Part #	Tube O.D.	T Tube End UN/UNF-2A	PT Port THD NPTF	D Drill	D1 Drill	M	N	XX After Assembly	Y Across Wrench Flats	Dynamic Pressure Rtg
TX-2-ME	1/8	5/16-24	1/8-27	.062	.188	.770	.720	.490	7/16	5000
TX-3-ME	3/16	3/8-24	1/8-27	.125	.188	.830	.720	.490	7/16	5000
TX-4-ME	1/4	7/16-20	1/8-27	.172	.188	.890	.780	.550	7/16	5000
TX-4-4-ME	1/4	7/16-20	1/4-18	.172	.281	1.050	1.090	.750	9/16	5000
TX-4-6-ME	1/4	7/16-20	3/8-18	.172	.406	1.130	1.220	.870	3/4	5000
TX-4-8-ME	1/4	7/16-20	1/2-14	.172	.531	1.230	1.440	.970	7/8	5000
TX-5-ME	5/16	1/2-20	1/8-27	.234	.188	.950	.780	.550	9/16	5000
TX-5-4-ME	5/16	1/2-20	1/4-18	.234	.281	1.050	1.090	.750	9/16	5000
TX-6-ME	3/8	9/16-18	1/4-18	.297	.281	1.060	1.090	.750	9/16	5000
TX-6-2-ME	3/8	9/16-18	1/8-27	.297	.188	1.060	.900	.670	9/16	5000
TX-6-6-ME	3/8	9/16-18	3/8-18	.297	.406	1.140	1.220	.870	3/4	5000
TX-6-8-ME	3/8	9/16-18	1/2-14	.297	.531	1.220	1.470	1.010	7/8	5000
TX-8-ME	1/2	3/4-16	3/8-18	.391	.406	1.250	1.220	.870	3/4	5000
TX-8-4-ME	1/2	3/4-16	1/4-18	.391	.281	1.250	1.220	.880	3/4	5000
TX-8-8-ME	1/2	3/4-16	1/2-14	.391	.531	1.330	1.470	1.010	7/8	5000
TX-8-12-ME	1/2	3/4-16	3/4-14	.391	.719	1.420	1.590	1.110	1 1/16	4000
TX-10-ME	5/8	7/8-14	1/2-14	.484	.531	1.450	1.470	1.010	7/8	5000
TX-10-6-ME	5/8	7/8-14	3/8-18	.484	.406	1.450	1.280	.930	7/8	5000
TX-10-12-ME	5/8	7/8-14	3/4-14	.484	.719	1.530	1.590	1.110	1 1/16	4000
TX-12-ME	3/4	1 1/16-12	3/4-14	.609	.719	1.660	1.590	1.110	1 1/16	4000
TX-12-8-ME	3/4	1 1/16-12	1/2-14	.609	.531	1.660	1.590	1.130	1 1/16	4500
TX-12-16-ME	3/4	1 1/16-12	1-11 1/2	.609	.938	1.760	1.970	1.390	1 5/16	3000
TX-14-ME	7/8	1 3/16-12	3/4-14	.718	.719	1.800	1.690	1.210	1 3/16	3500
TX-16-ME	1	1 5/16-12	1-11 1/2	.844	.938	1.810	1.970	1.400	1 5/16	3000
TX-16-12-ME	1	1 5/16-12	3/4-14	.844	.719	1.810	1.780	1.300	1 5/16	3500
TX-16-20-ME	1	1 5/16-12	1 1/4-11 1/2	.844	1.250	2.130	2.380	1.780	1 5/8	2500
TX-20-ME	1 1/4	1 5/8-12	1 1/4-11 1/2	1.078	1.250	2.060	2.380	1.790	1 5/8	2500
TX-20-16-ME	1 1/4	1 5/8-12	1-11 1/2	1.078	.938	2.060	2.060	1.490	1 5/8	3000
TX-20-24-ME	1 1/4	1 5/8-12	1 1/2-11 1/2	1.078	1.500	2.200	2.640	2.050	1 7/8	2000
TX-24-ME	1 1/2	1 7/8-12	1 1/2-11 1/2	1.312	1.500	2.330	2.640	2.050	1 7/8	2000
TX-24-20-ME	1 1/2	1 7/8-12	1 1/4-11 1/2	1.312	1.250	2.330	2.250	1.660	1 7/8	2000
TX-32-ME	2	2 1/2-12	2-11 1/2	1.781	1.938	3.060	3.000	2.390	2 1/2	1500

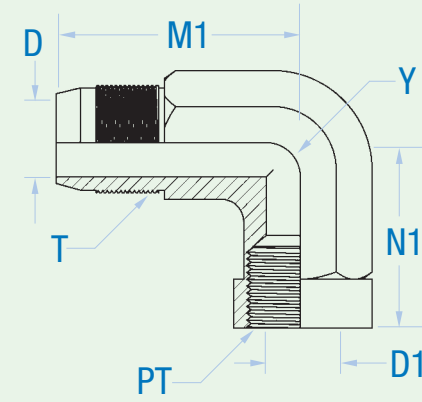
Long Male Elbow • Flare Tube End/ Long Male Pipe End

Tube Fitting Part #	Tube O.D.	T Tube End UN/UNF-2A	PT PORT THD NPTF	D Drill	D1 Drill	M	N3	XX After Assy.	Y Across Wrench Flats	Dynamic Pressure Rtg
TX-4-LME	1/4	7/16-20	1/8-27	.172	.188	.890	1.170	.960	7/16	5000
TX-4-4-LME	1/4	7/16-20	1/4-18	.172	.281	1.050	1.440	1.100	9/16	5000
TX-6-LME	3/8	9/16-18	1/4-18	.297	.281	1.060	1.580	1.220	9/16	5000
TX-6-6-LME	3/8	9/16-18	3/8-18	.297	.406	1.140	2.340	1.990	3/4	5000
TX-8-LME	1/2	3/4-16	3/8-18	.391	.406	1.250	1.820	1.170	3/4	5000
TX-8-8-LME	1/2	3/4-16	1/2-14	.391	.531	1.340	2.160	1.690	7/8	5000
TX-10-LME	5/8	7/8-14	1/2-14	.484	.531	1.450	2.170	1.700	7/8	5000
TX-12-LME	3/4	1 1/16-12	3/4-14	.609	.719	1.660	2.440	1.930	1 1/16	4000
TX-16-LME	1	1 5/16-12	1-11 1/2	.844	.938	1.810	3.010	2.350	1 5/16	3000

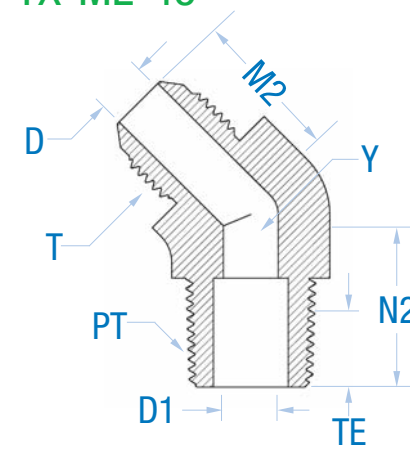
2501-L
SAE 071502

TX-LME

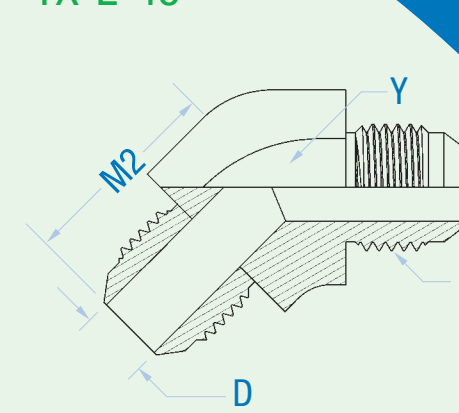
TX-FE



TX-ME-45



TX-E-45



TX-FE

Female Elbow • Flare Tube End/Female Pipe End

2502

MS51506
SAE 070203

Tube Fitting Part #	Tube O.D.	T Tube End UN/UNF-2A	PT Port Thread NPTF	D Drill	D1 Drill	M1	N1	Y Across Wrench Flats
TX-4-FE	1/4	7/16-20	1/8-27	.172	.172	1.080	.660	9/16
TX-4-4-FE	1/4	7/16-20	1/4-18	.172	.172	1.220	.880	3/4
TX-5-FE	5/16	1/2-20	1/8-27	.234	.234	1.080	.660	9/16
TX-5-4-FE	5/16	1/2-20	1/4-18	.234	.234	1.130	.880	3/4
TX-6-FE	3/8	9/16-18	1/4-18	.297	.297	1.230	.880	3/4
TX-6-2-FE	3/8	9/16-18	1/8-27	.297	.297	1.230	.670	9/16
TX-6-6-FE	3/8	9/16-18	3/8-18	.297	.297	1.310	1.020	7/8
TX-8-FE	1/2	3/4-16	3/8-18	.391	.391	1.420	1.020	7/8
TX-8-4-FE	1/2	3/4-16	1/4-18	.391	.391	1.420	1.010	3/4
TX-8-8-FE	1/2	3/4-16	1/2-14	.391	.391	1.520	1.230	1 1/16
TX-10-FE	5/8	7/8-14	1/2-14	.484	.484	1.640	1.230	1 1/16
TX-12-FE	3/4	1 1/16-12	3/4-14	.609	.609	1.890	1.360	1 5/16
TX-12-8-FE	3/4	1 1/16-12	1/2-14	.609	.609	1.890	1.350	1 1/16
TX-14-FE	7/8	1 3/16-12	3/4-14	.718	.718	1.860	1.420	1 5/16
TX-16-FE	1	1 5/16-12	1-11 1/2	.844	.844	2.170	1.630	1 5/8
TX-20-FE	1 1/4	1 5/8-12	1 1/4-11 1/2	1.078	1.078	2.330	1.700	1 7/8
TX-20-FE	1 1/2	1 7/8-12	1 1/2-11 1/2	1.312	1.312	2.890	2.080	2 1/2

Male Elbow-45 • Flare Tube End/Male Pipe End

Tube Fitting Part #	Tube O.D.	T Tube End UN/UNF-2A	PT Port THD NPTF	D Drill	D1 Drill	M2	N2	TE	Y Across Wrench Flats	Dynamic Pressure Rtg
TX-2-ME-45	1/8	5/16-24	1/8-27	.062	.188	.690	.530	.240	7/16	5000
TX-3-ME-45	3/16	3/8-24	1/8-27	.125	.188	.690	.530	.240	7/16	5000
TX-4-ME-45	1/4	7/16-20	1/8-27	.172	.188	.720	.640	.240	7/16	5000
TX-4-4-ME-45	1/4	7/16-20	1/4-18	.172	.281	.820	.860	.340	9/16	5000
TX-5-ME-45	5/16	1/2-20	1/8-27	.234	.188	.770	.640	.240	9/16	5000
TX-5-4-ME-45	5/16	1/2-20	1/4-18	.234	.281	.820	.860	.340	9/16	5000
TX-6-ME-45	3/8	9/16-18	1/4-18	.297	.281	.830	.860	.340	9/16	5000
TX-6-2-ME-45	3/8	9/16-18	1/8-27	.297	.188	.830	.670	.240	9/16	5000
TX-6-6-ME-45	3/8	9/16-18	3/8-18	.297	.406	.870	.950	.350	3/4	5000
TX-6-8-ME-45	3/8	9/16-18	1/2-14	.297	.531	1.060	1.170	.460	7/8	5000
TX-8-ME-45	1/2	3/4-16	3/8-18	.391	.406	.980	.950	.350	3/4	5000
TX-8-4-ME-45	1/2	3/4-16	1/4-18	.391	.281	.980	.950	.340	3/4	5000
TX-8-8-ME-45	1/2	3/4-16	1/2-14	.391	.531	.990	1.170	.460	7/8	5000
TX-8-12-ME-45	1/2	3/4-16	3/4-14	.391	.719	1.040	1.200	.480	1 1/16	4000
TX-10-ME-45	5/8	7/8-14	1/2-14	.484	.531	1.110	1.170	.460	7/8	5000
TX-10-6-ME-45	5/8	7/8-14	3/8-18	.484	.406	1.110	.980	.350	7/8	5000
TX-10-12-ME-45	5/8	7/8-14	3/4-14	.484	.719	1.280	1.200	.480	1 1/16	4000
TX-12-ME-45	3/4	1 1/16-12	3/4-14	.609	.719	1.280	1.200	.480	1 1/16	4000
TX-12-8-ME-45	3/4	1 1/16-12	1/2-14	.609	.531	1.280	1.200	.460	1 1/16	4500
TX-12-16-ME-45	3/4	1 1/16-12	1-11 1/2	.609	.938	1.420	1.480	.570	1 5/16	3000
TX-14-ME-45	7/8	1 3/16-12	3/4-14	.718	.719	1.390	1.270	.480	1 5/16	3500
TX-16-ME-45	1	1 5/16-12	1-11 1/2	.844	.938	1.470	1.480	.570	1 5/16	3000
TX-16-12-ME-45	1	1 5/16-12	3/4-14	.844	.719	1.470	1.290	.480	1 5/16	3500
TX-20-ME-45	1 1/4	1 5/8-12	1 1/4-11 1/2	1.078	1.250	1.590	1.670	.590	1 5/8	2500
TX-24-ME-45	1 1/2	1 7/8-12	1 1/2-11 1/2	1.312	1.500	1.780	1.770	.590	1 7/8	2000
TX-32-ME-45	2	2 1/2-12	2-11 1/2	1.781	1.938	2.220	2.110	.610	2 1/2	1500

2503

MS51508
SAE 070302

TX-ME-45

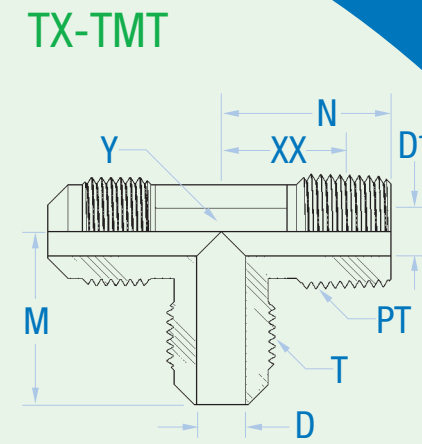
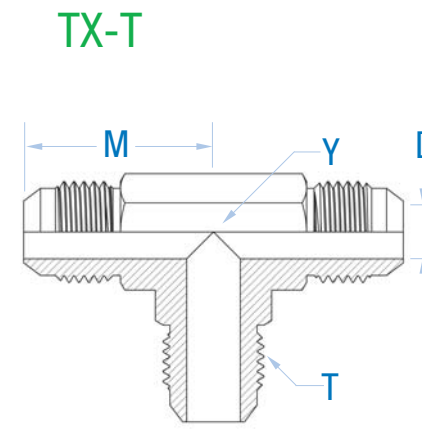
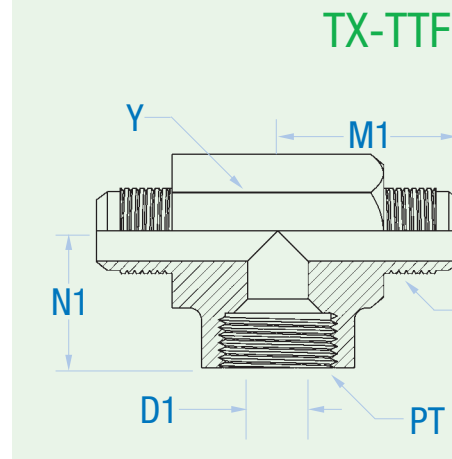
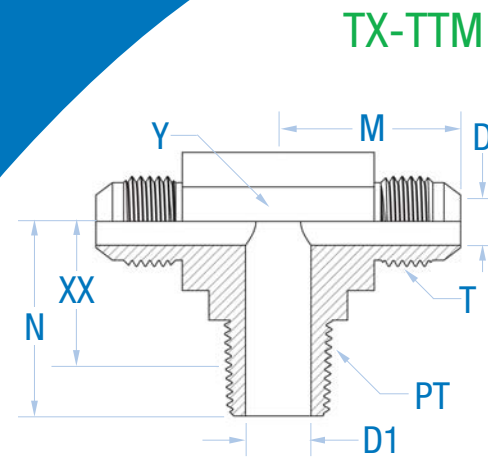
Union Elbow-45 • Male Flare End/Male Flare End

Part #	Tube O.D.	T Tube End UN/UNF-2A	D	M2	Y Across Wrench Flats	Dynamic Pressure Rtg
TX-3-E-45	3/16	3/8-24	.125	.69	7/16	5000
TX-4-E-45	1/4	7/16-20	.172	.72	7/16	5000
TX-6-E-45	3/8	9/16-18	.297	.83	9/16	5000
TX-8-E-45	1/2	3/4-16	.391	.98	3/4	5000
TX-10-E-45	5/8	7/8-14	.484	1.11	7/8	5000
TX-12-E-45	3/4	1 1/16-12	.609	1.28	1 3/16	4500
TX-16-E-45	1	1 5/16-12	.844	1.47	1 5/16	3500

2504

SAE 071502

TX-E-45



TX-TTM

2601
MS51512
SAE 070425

Tube Fitting Part #	Tube O.D.	T Tube End UN/UNF-2A	PT Port THD NPTF	D Drill	D1 Drill	M	N	XX After Assembly	Y Across Wrench Flats	Dynamic Pressure Rtg
TX-3-TTM	3/16	3/8-24	1/8-27	.125	.188	.830	.720	.480	7/16	5000
TX-4-TTM	1/4	7/16-20	1/8-27	.172	.188	.890	.780	.540	7/16	5000
TX-4-4-4-TTM	1/4	7/16-20	1/4-18	.172	.281	1.050	1.090	.750	9/16	5000
TX-5-TTM	5/16	1/2-20	1/8-27	.234	.188	.970	.810	.570	9/16	5000
TX-6-TTM	3/8	9/16-18	1/4-18	.297	.281	1.060	1.090	.750	9/16	5000
TX-6-6-6-TTM	3/8	9/16-18	3/8-18	.297	.406	1.140	1.220	.870	3/4	5000
TX-8-TTM	1/2	3/4-16	3/8-18	.391	.406	1.250	1.220	.870	3/4	5000
TX-8-8-8-TTM	1/2	3/4-16	1/2-14	.391	.531	1.340	1.470	1.010	7/8	5000
TX-10-TTM	5/8	7/8-14	1/2-14	.484	.531	1.450	1.470	1.010	7/8	5000
TX-12-TTM	3/4	1 1/16-12	3/4-14	.609	.719	1.660	1.590	1.110	1 1/16	4000
TX-14-TTM	7/8	1 3/16-12	3/4-14	.718	.719	1.800	1.690	1.210	1 5/16	3500
TX-16-TTM	1	1 5/16-12	1-11 1/2	.844	.938	1.810	1.970	1.400	1 5/16	3000
TX-20-TTM	1 1/4	1 5/8-12	1 1/4-11 1/2	1.078	1.250	2.060	2.380	1.790	1 5/8	2500

M10* - CENTER TO BASE OF FLARE SEAT

TX-TTF

2602
MS51513
SAE 070427

Tube Fitting Part #	Tube O.D.	T Tube End UN/UNF-2A	PT PORT THD NPTF	D Drill	Ref D1 Drill	M1	N1	Y Across Wrench Flats	Dynamic Pressure Rtg
TX-4-TTF	1/4	7/16-20	1/8-27	.172	.328	1.080	.660	9/16	5000
TX-4-4-4-TTF	1/4	7/16-20	1/4-18	.172	.422	1.220	.880	3/4	5000
TX-5-TTF	5/16	1/2-20	1/8-27	.234	.328	1.080	.660	9/16	5000
TX-6-TTF	3/8	9/16-18	1/4-18	.297	.422	1.230	.880	3/4	5000
TX-8-TTF	1/2	3/4-16	3/8-18	.391	.563	1.420	1.020	7/8	3000
TX-10-TTF	5/8	7/8-14	1/2-14	.484	.688	1.640	1.230	1 1/16	3000
TX-12-TTF	3/4	1 1/16-12	3/4-14	.609	.891	1.890	1.360	1 5/16	3000
TX-14-TTF	7/8	1 3/16-12	3/4-14	.718	.891	1.860	1.420	1 5/16	3000
TX-16-TTF	1	1 5/16-12	1-11 1/2	.844	1.125	2.170	1.630	1 5/8	1750
TX-20-TTF	1 1/4	1 5/8-12	1 1/4-11 1/2	1.078	1.469	2.330	1.700	1 7/8	1500
TX-24-TTF	1 1/2	1 7/8-12	1 1/2-11 1/2	1.312	1.703	2.890	2.080	2 1/2	1500

Female Branch Tee • Flare Tube End/Female Pipe End

Union Tee • Flare Tube End (all three ends)

Tube Fitting Part #	Tube O.D.	T Port Thread UN/UNF-2A	D Drill	M	Y Across Wrench Flats	Dynamic Pressure Rtg
TX-2-T	1/8	5/16-24	.062	.78	7/16	7700
TX-3-T	3/16	3/8-24	.125	.83	7/16	7700
TX-4-T	1/4	7/16-20	.172	.89	7/16	7700
TX-5-T	5/16	1/2-20	.234	.95	9/16	6000
TX-6-T	3/8	9/16-18	.297	1.06	9/16	6000
TX-8-T	1/2	3/4-16	.391	1.25	3/4	6000
TX-10-T	5/8	7/8-14	.484	1.45	7/8	5000
TX-12-T	3/4	1 1/16-12	.609	1.66	1 1/16	5000
TX-14-T	7/8	1 3/16-12	.718	1.73	1 5/16	3500
TX-16-T	1	1 5/16-12	.844	1.81	1 5/16	3500
TX-20-T	1 1/4	1 5/8-12	1.078	2.06	1 5/8	3000
TX-24-T	1 1/2	1 7/8-12	1.312	2.33	1 7/8	2000

TX-T

2603
MS51510
SAE 070401

TX-TMT

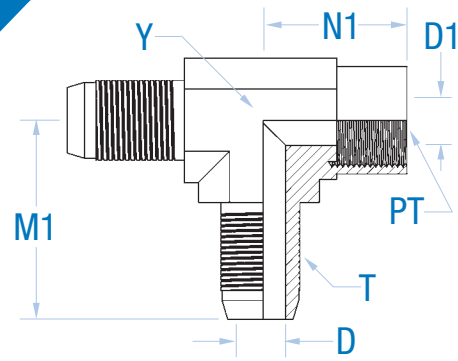
Male Run Tee • Flare Tube End/Male Pipe End

Tube Fitting Part #	Tube O.D.	T Tube End UN/UNF-2A	PT Port THD NPTF	D Drill	D1 Drill	M	N	XX After Assy.	Y Across Wrench Flats	Dynamic Pressure Rtg
TX-3-TMT	3/16	3/8-24	1/8-27	.125	.188	.830	.720	.480	7/16	5000
TX-4-TMT	1/4	7/16-20	1/8-27	.172	.188	.890	.780	.540	7/16	5000
TX-4-4-4-TMT	1/4	7/16-20	1/4-18	.172	.281	1.050	1.090	.750	9/16	5000
TX-5-TMT	5/16	1/2-20	1/8-27	.234	.188	.970	.810	.570	9/16	5000
TX-6-TMT	3/8	9/16-18	1/4-18	.297	.281	1.060	1.090	.750	9/16	5000
TX-6-6-6-TMT	3/8	9/16-18	3/8-18	.297	.406	1.140	1.220	.870	3/4	5000
TX-8-TMT	1/2	3/4-16	3/8-18	.391	.406	1.250	1.220	.870	3/4	5000
TX-8-8-8-TMT	1/2	3/4-16	1/2-14	.391	.531	1.340	1.470	1.010	7/8	5000
TX-10-TMT	5/8	7/8-14	1/2-14	.484	.531	1.450	1.470	1.010	7/8	5000
TX-12-TMT	3/4	1 1/16-12	3/4-14	.609	.719	1.660	1.590	1.110	1 1/16	4000
TX-14-TMT	7/8	1 3/16-12	3/4-14	.718	.719	1.800	1.690	1.210	1 5/16	3500
TX-16-TMT	1	1 5/16-12	1-11 1/2	.844	.938	1.810	1.970	1.400	1 5/16	3000
TX-20-TMT	1 1/4	1 5/8-12	1 1/4-11 1/2	1.078	1.250	2.060	2.380	1.790	1 5/8	2500
TX-24-TMT	1 1/2	1 7/8-12	1 1/2-11 1/2	1.312	1.500	2.330	2.640	2.050	1 7/8	2000

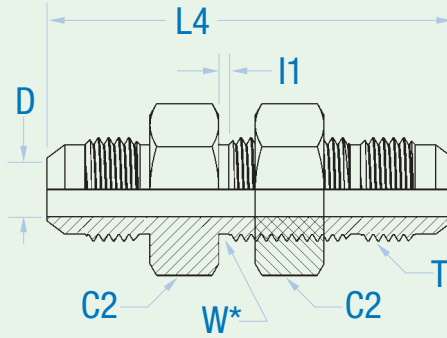
*D1 DRILL MAY BE PRESENT DUE TO MANUFACTURING OPTION PER SAE J514

2605
MS51511
SAE 070424

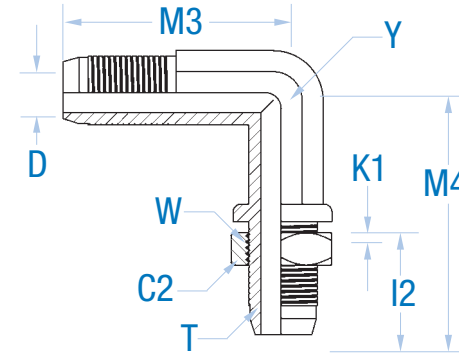
TX-TFT



TX-BU



TX-BE



TX-TFT

Female Run Tee • Flare Tube End/Female Tube End

2606
MS51514
SAE 070425

Tube Fitting Part #	Tube O.D.	T Tube End UN/UNF-2A	PT PORT THD NPTF	D Drill	Ref D1 Drill	M1	N1	Y Across Wrench Flats	Dynamic Pressure Rtg
TX-4-TFT	1/4	7/16-20	1/8-27	.172	.328	1.080	.660	9/16	5000
TX-4-4-TFT	1/4	7/16-20	1/4-18	.172	.422	1.220	.880	3/4	5000
TX-6-TFT	3/8	9/16-18	1/4-18	.297	.422	1.230	.880	3/4	5000
TX-8-TFT	1/2	3/4-16	3/8-18	.391	.563	1.420	1.020	7/8	3000
TX-10-TFT	5/8	7/8-14	1/2-14	.484	.688	1.640	1.230	1 1/16	3000
TX-12-TFT	3/4	1 1/16-12	3/4-14	.609	.891	1.890	1.360	1 5/16	3000
TX-14-TFT	7/8	1 3/16-12	3/4-14	.718	.891	1.860	1.420	1 5/16	3000
TX-16-TFT	1	1 5/16-12	1-11 1/2	.844	1.125	2.170	1.630	1 5/8	1750
TX-20-TFT	1 1/4	1 5/8-12	1 1/4-11 1/2	1.078	1.469	2.330	1.700	1 7/8	1500
TX-24-TFT	1 1/2	1 7/8-12	1 1/2-11 1/2	1.312	1.703	2.890	2.080	2 1/2	1500

Bulkhead Union Elbow • Flare Tube End/Flare Tube End

Tube Fitting Part #	Tube O.D.	T Tube End UN/UNF-2A	C2 Hex	D Drill	I2	K1	M3	M4	W DIA.	Y Across Wrench Flats	Dynamic Pressure Rtg
TX-4-BE	1/4	7/16-20	11/16	.172	1.020	.090	.970	1.590	.440	7/16	5000
TX-5-BE	5/16	1/2-20	3/4	.234	1.020	.090	1.060	1.720	.500	9/16	5000
TX-6-BE	3/8	9/16-18	13/16	.297	1.090	.090	1.090	1.810	.560	9/16	5000
TX-8-BE	1/2	3/4-16	1	.391	1.250	.130	1.360	2.110	.750	3/4	5000
TX-10-BE	5/8	7/8-14	1 1/8	.484	1.390	.130	1.560	2.390	.880	7/8	5000
TX-12-BE	3/4	1 1/16-12	1 3/8	.609	1.560	.130	1.780	2.670	1.060	1 1/16	4500
TX-14-BE	7/8	1 3/16-12	1 1/2	.718	1.560	.130	1.920	2.800	1.190	1 5/8	3500
TX-16-BE	1	1 5/16-12	1 5/8	.844	1.560	.130	1.940	2.800	1.310	1 5/8	3500
TX-20-BE	1 1/4	1 5/8-12	1 7/8	1.078	1.610	.130	2.170	3.130	1.630	1 5/8	3000

2701
SAE 070701

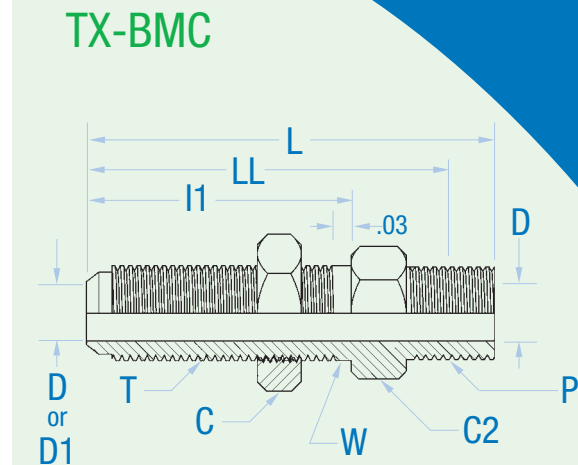
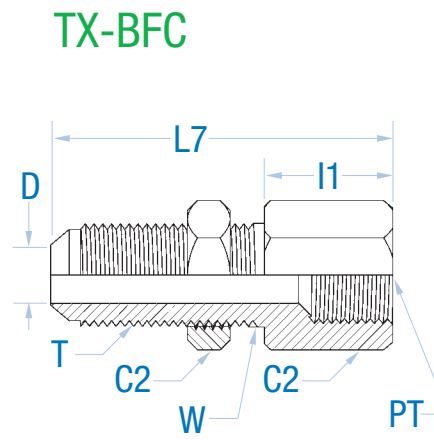
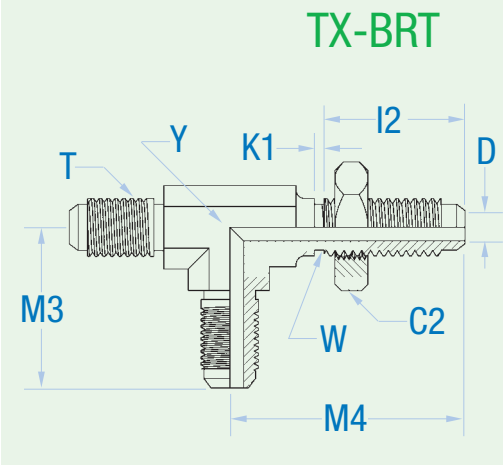
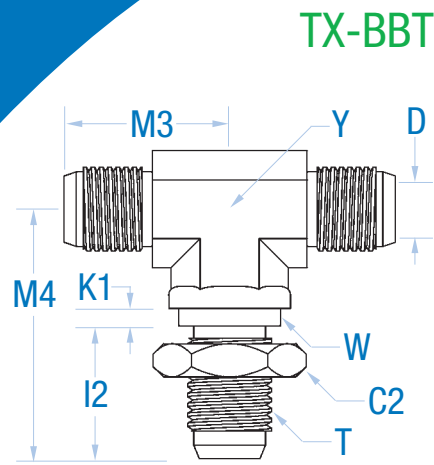
TX-BU

Bulkhead Union • Flare Tube End/Flare Tube End

2700
MS51520
SAE 070601

Tube Fitting Part #	Tube O.D.	T Tube End UN/UNF-2A	C2 Hex	D Drill	I1	L4	W DIA.	Dynamic Pressure Rtg.
TX-3-BU	3/16	3/8-24	5/8	.125	1.11	1.91	.380	7700
TX-4-BU	1/4	7/16-20	11/16	.172	1.200	2.070	.440	7700
TX-5-BU	5/16	1/2-20	3/4	.234	1.200	2.080	.500	7700
TX-6-BU	3/8	9/16-18	13/16	.297	1.280	2.190	.560	7700
TX-8-BU	1/2	3/4-16	1	.391	1.440	2.440	.750	7700
TX-10-BU	5/8	7/8-14	1 1/8	.484	1.580	2.750	.880	6000
TX-12-BU	3/4	1 1/16-12	1 3/8	.609	1.750	3.090	1.060	6000
TX-14-BU	7/8	1 3/16-12	1 1/2	.718	1.750	3.130	1.190	4800
TX-16-BU	1	1 5/16-12	1 5/8	.844	1.750	3.140	1.310	4800
TX-20-BU	1 1/4	1 5/8-12	1 7/8	1.078	1.800	3.310	1.630	3600
TX-24-BU	1 1/2	1 7/8-12	2 1/8	1.312	1.810	3.520	1.880	2400

W* - BULKHEAD PILOT DIAMETER RECOMMENDED CLEARANCE HOLE +.015" OVER "W" DIAMETER



TX-BBT

Bulkhead Branch Tee • Flare Tube End (all three ends)

2703
SAE 070959

Tube Fitting Part #	Tube O.D.	T Tube End UN/UNF-2A	C2 Hex	D Drill	I2	K1	M3	M4	W DIA.	Y Across Wrench Flats	Dynamic Pressure Rtg
TX-4-BBT	1/4	7/16-20	11/16	.172	1.020	.090	.970	1.590	.440	7/16	5000
TX-6-BBT	3/8	9/16-18	13/16	.297	1.090	.090	1.090	1.810	.560	9/16	5000
TX-8-BBT	1/2	3/4-16	1	.391	1.250	.130	1.360	2.110	.750	3/4	5000
TX-10-BBT	5/8	7/8-14	1 1/8	.484	1.390	.130	1.560	2.390	.880	7/8	5000
TX-12-BBT	3/4	1 1/16-12	1 3/8	.609	1.560	.130	1.780	2.670	1.060	1 1/16	4500
TX-16-BBT	1	1 5/16-12	1 5/8	.844	1.560	.130	1.940	2.800	1.310	1 7/16	3500
TX-20-BBT	1 1/4	1 5/8-12	1 7/8	1.078	1.610	.130	2.170	3.120	1.630	1 5/8	3000

W* - BULKHEAD PILOT DIA. RECOMMENDED CLEARANCE HOLE +.015 OVER W DIA.

TX-BRT

Bulkhead Run Tee • Flare Tube End (all three ends)

2704
SAE 070958

Tube Fitting Part #	Tube O.D.	T Tube End UN/UNF-2A	C2 Hex	D Drill	I2	K1	M3	M4	W DIA.	Y Across Wrench Flats	Dynamic Pressure Rtg
TX-4-BRT	1/4	7/16-20	11/16	.172	1.020	.090	.970	1.590	.440	7/16	5000
TX-6-BRT	3/8	9/16-18	13/16	.297	1.090	.090	1.090	1.810	.560	9/16	5000
TX-8-BRT	1/2	3/4-16	1	.391	1.250	.130	1.360	2.110	.750	3/4	5000
TX-10-BRT	5/8	7/8-14	1 1/8	.484	1.390	.130	1.560	2.390	.880	7/8	5000
TX-12-BRT	3/4	1 1/16-12	1 3/8	.609	1.560	.130	1.780	2.670	1.060	1 1/16	4500

W* - BULKHEAD PILOT DIA. RECOMMENDED CLEARANCE HOLE +.015 OVER W DIA.

TX-BFC

Female Bulkhead Connector • Flare Tube End/Female Pipe End

2705

Tube Fitting Part #	Tube O.D.	T Tube End UN/UNF-2A	PT PORT THD NPTF	C2 Hex	D Drill	I1	L7	W Dia.	Dynamic Pressure Rtg
TX-4-BFC	1/4	7/16-20	1/8-27	11/16	.172	1.20	1.84	.44	6000
TX-4-4-BFC	1/4	7/16-20	1/4-18	3/4	.172	1.33	2.16	.44	6000
TX-6-BFC	3/8	9/16-18	1/4-18	13/16	.297	1.28	2.06	.56	6000
TX-8-BFC	1/2	3/4-16	3/8-18	1	.391	1.44	2.34	.75	6000
TX-10-BFC	5/8	7/8-14	1/2-14	1 1/8	.484	1.58	2.66	.88	6000
TX-12-BFC	3/4	1 1/16-12	3/4-14	1 3/8	.609	1.75	2.91	1.06	4800
TX-14-BFC	7/8	1 3/16-12	3/4-14	1 1/2	.718	1.75	2.89	1.19	4200
TX-16-BFC	1	1 5/16-12	1-11 1/2	1 5/8	.844	1.75	3.09	1.31	3600

W* - BULKHEAD PILOT DIA. RECOMMENDED CLEARANCE HOLE +.015 OVER W DIA.

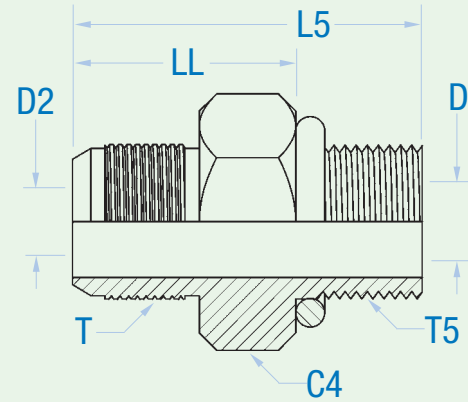
TX-BMC

Male Bulkhead Connector • Flare Tube End/Male Pipe End

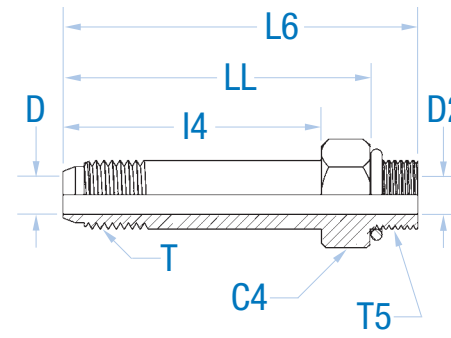
2706

Tube Fitting Part #	PT Port Thd. NPTF	T Port Thd. UN/UNF-2A	D Drill	D1 Drill	L	LL After Assy.	I1	C Hex	C2 Hex	W	Dynamic Pressure Rtg
TX-4-4-BMC	1/4-18	7/16-20	.172	.281	2.070	1.840	1.200	1/2	11/16	.44	6000
TX-6-BMC	1/4-18	9/16-18	.297	.281	2.150	1.810	1.280	13/16	13/16	.56	6000
TX-8-BMC	3/8-18	3/4-16	.391	.406	2.310	1.960	1.440	1	1	.75	6000
TX-8-8-BMC	1/2-14	3/4-16	.391	.531	2.560	2.100	1.440	1	1	.75	6000
TX-10-BMC	1/2-14	7/8-14	.484	.531	2.710	2.250	1.580	1 1/8	1 1/8	.88	6000
TX-12-BMC	3/4-14	1 1/16-12	.609	.719	2.950	2.470	1.750	1 1/8	1 3/8	1.06	4800
TX-16-BMC	1-11 1/2	1 5/16-12	.844	.938	3.140	2.570	1.750	1 5/8	1 5/8	1.31	3600

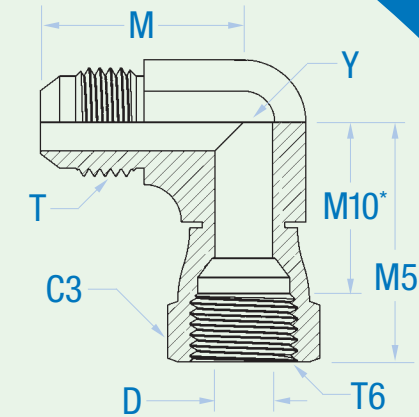
TX-GC



TX-LGC



TX-SE



TX-GC

Straight Thread Connector • Flare Tube End/Straight Thread O-Ring

6400-0
MS51525
SAE 070120

Tube Fitting Part #	Tube O.D.	T Tube End UN/UNF-2A	T5 Port THD UN/UNF-2A	C4 Hex	D Drill	D2 Drill	L5	LL After Assy.	Dynamic Pressure Rtg
TX-2-GC	1/8	5/16-24	5/16-24	7/16	.062	.062	1.060	.760	7700
TX-3-GC	3/16	3/8-24	3/8-24	1/2	.125	.125	1.100	.800	7700
TX-4-GC	1/4	7/16-20	7/16-20	9/16	.172	.172	1.230	.870	7700
TX-4-5-GC	1/4	7/16-20	1/2-20	5/8	.172	.172	1.230	.870	7700
TX-4-6-GC	1/4	7/16-20	9/16-18	11/16	.172	.172	1.280	.890	7700
TX-4-8-GC	1/4	7/16-20	3/4-16	7/8	.172	.391	1.380	.940	7700
TX-5-GC	5/16	1/2-20	1/2-20	5/8	.234	.234	1.230	.870	7700
TX-5-4-GC	5/16	1/2-20	7/16-20	9/16	.234	.172	1.230	.870	7700
TX-5-6-GC	5/16	1/2-20	9/16-18	11/16	.234	.234	1.300	.910	7700
TX-6-GC	3/8	9/16-18	9/16-18	11/16	.297	.297	1.300	.910	7700
TX-6-4-GC	3/8	9/16-18	7/16-20	5/8	.297	.172	1.270	.910	7700
TX-6-5-GC	3/8	9/16-18	1/2-20	5/8	.297	.234	1.270	.910	7700
TX-6-8-GC	3/8	9/16-18	3/4-16	7/8	.297	.297	1.380	.940	7700
TX-6-10-GC	3/8	9/16-18	7/8-14	1	.297	.297	1.500	1.000	6000
TX-8-GC	1/2	3/4-16	3/4-16	7/8	.391	.391	1.480	1.040	7700
TX-8-4-GC	1/2	3/4-16	7/16-20	13/16	.391	.172	1.500	1.140	7700
TX-8-6-GC	1/2	3/4-16	9/16-18	13/16	.391	.297	1.440	1.050	7700
TX-8-10-GC	1/2	3/4-16	7/8-14	1	.391	.391	1.590	1.090	6000
TX-8-12-GC	1/2	3/4-16	1 1/16-12	1 1/4	.391	.391	1.770	1.180	6000
TX-8-16-GC	1/2	3/4-16	1 5/16-12	1 1/2	.391	.391	1.780	1.190	5400
TX-10-GC	5/8	7/8-14	7/8-14	1	.484	.484	1.700	1.200	6000
TX-10-8-GC	5/8	7/8-14	3/4-16	15/16	.484	.391	1.640	1.170	6000
TX-10-12-GC	5/8	7/8-14	1 1/16-12	1 1/4	.484	.484	1.860	1.270	6000
TX-12-GC	3/4	1 1/16-12	1 1/16-12	1 1/4	.609	.609	1.970	1.380	6000
TX-12-8-GC	3/4	1 1/16-12	3/4-16	1 1/8	.609	.391	1.940	1.500	6000
TX-12-10-GC	3/4	1 1/16-12	7/8-14	1 1/8	.609	.484	1.880	1.380	6000
TX-12-14-GC	3/4	1 1/16-12	1 3/16-12	1 3/8	.609	.609	1.970	1.370	5400
TX-12-16-GC	3/4	1 1/16-12	1 5/16-12	1 1/2	.609	.609	1.990	1.400	5400
TX-14-GC	7/8	1 3/16-12	1 3/16-12	1 3/8	.718	.718	1.990	1.400	5400
TX-14-16-GC	7/8	1 3/16-12	1 5/16-12	1 1/2	.718	.718	2.020	1.430	5400
TX-16-GC	1	1 5/16-12	1 5/16-12	1 1/2	.844	.844	2.040	1.460	5400
TX-16-10-GC	1	1 5/16-12	7/8-14	1 3/8	.844	.484	2.080	1.570	5400
TX-16-12-GC	1	1 5/16-12	1 1/16-12	1 3/8	.844	.609	1.990	1.400	5400
TX-16-14-GC	1	1 5/16-12	1 3/16-12	1 3/8	.844	.718	2.050	1.460	5400
TX-16-20-GC	1	1 5/16-12	1 5/8-12	1 7/8	.844	.844	2.130	1.540	3600
TX-20-GC	1 1/4	1 5/8-12	1 5/8-12	1 7/8	1.078	1.078	2.170	1.580	3600
TX-20-16-GC	1 1/4	1 5/8-12	1 5/16-12	1 11/16	1.078	.844	2.330	1.740	3600
TX-20-24-GC	1 1/4	1 5/8-12	1 7/8-12	2 1/8	1.078	1.078	2.240	1.650	2400
TX-24-GC	1 1/2	1 7/8-12	1 7/8-12	2 1/8	1.312	1.312	2.370	1.790	2400
TX-24-20-GC	1 1/2	1 7/8-12	1 5/8-12	2	1.312	1.078	2.530	1.940	1800
TX-32-GC	2	2 1/2-12	2 1/2-12	2 3/4	1.781	1.781	2.780	2.190	1800
TX-32-24-GC	2	2 1/2-12	1 7/8-12	2 5/8	1.781	1.312	2.780	2.350	1800

TX-LGC

Long Straight Thread Connector • Flare Tube End/Straight Thread O-Ring

6400-L
MS51526
SAE 070120

Tube Fitting Part #	Tube O.D.	T Tube End UN/UNF-2A	T5 Port THD UN/UNF-2A	C4 Hex	D Drill	D2 Drill	I4	L6	LL After Assy.	Dynamic Pressure Rtg
TX-4-LGC	1/4	7/16-20	7/16-20	9/16	.172	.172	1.39	2.08	1.72	7700
TX-6-LGC	3/8	9/16-18	9/16-18	11/16	.297	.297	1.56	2.31	1.92	7700
TX-8-LGC	1/2	3/4-16	3/4-16	7/8	.391	.391	1.88	2.70	2.26	7700
TX-10-LGC	5/8	7/8-14	7/8-14	1	.484	.484	2.09	3.04	2.53	6000
TX-12-LGC	3/4	1 1/16-12	1 1/16-12	1 1/4	.609	.609	2.50	3.61	3.02	6000
TX-16-LGC	1	1 5/16-12	1 5/16-12	1 1/2	.844	.844	2.84	3.98	3.39	5400
TX-20-LGC	1 1/4	1 5/8-12	1 5/8-12	1 7/8	1.078	1.078	3.47	4.69	4.10	3600

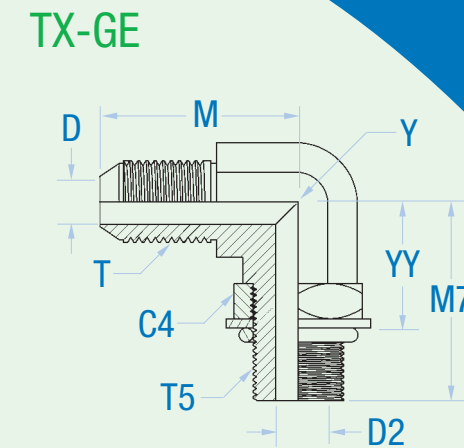
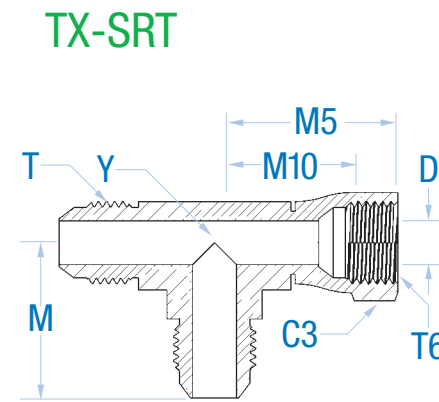
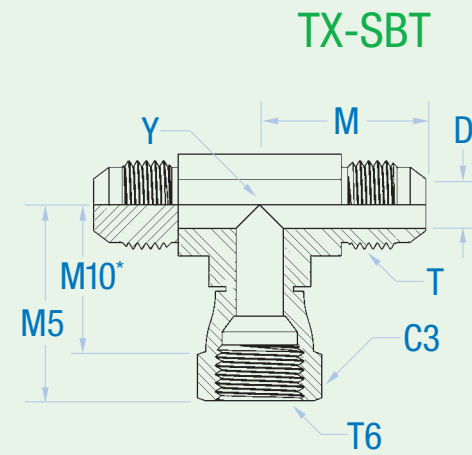
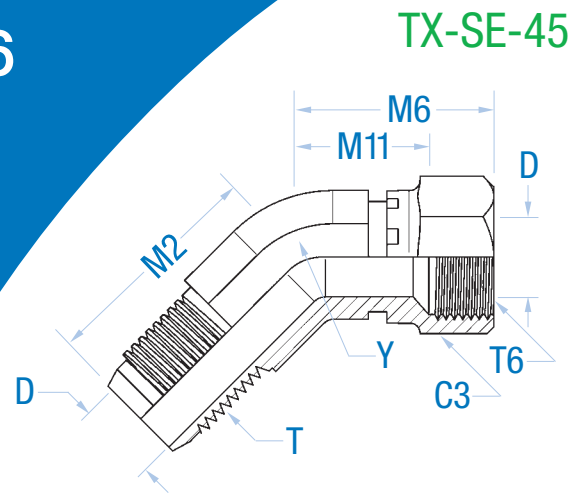
TX-SE

Swivel Nut Elbow • Flare Tube End/Swivel Nut End

6500
MS51521
SAE 070221

Tube Fitting Part #	Tube O.D.	T Tube End UN/UNF-2A	T6 Swivel UN/UNF-2B	C3 Hex	D Drill	M	M5	M10	Y Across Wrench Flats	Dynamic Pressure Rtg
TX-3-SE	3/16	3/8-24	3/8-24	1/2	.125	.830	1.00	.630	7/16	7700
TX-4-SE	1/4	7/16-20	7/16-20	9/16	.172	.890	1.030	.660	7/16	7700
TX-5-SE	5/16	1/2-20	1/2-20	5/8	.234	.970	1.130	.780	9/16	6000
TX-6-SE	3/8	9/16-18	9/16-18	11/16	.297	1.060	1.250	.880	9/16	6000
TX-8-SE	1/2	3/4-16	3/4-16	7/8	.391	1.250	1.380	.950	3/4	6000
TX-10-SE	5/8	7/8-14	7/8-14	1	.484	1.450	1.620	1.130	7/8	5000
TX-12-SE	3/4	1 1/16-12	1 1/16-12	1 1/4	.609	1.660	1.750	1.190	1 1/16	5000
TX-14-SE	7/8	1 3/16-12	1 3/16-12	1 3/8	.718	1.730	1.780	1.330	1 5/16	2500
TX-16-SE	1	1 5/16-12	1 5/16-12	1 1/2	.844	1.810	2.000	1.410	1 5/16	2500
TX-20-SE	1 1/4	1 5/8-12	1 5/8-12	2	1.078	2.060	2.310	1.690	1 5/8	2500
TX-24-SE	1 1/2	1 7/8-12	1 7/8-12	2 1/4	1.312	2.330	2.590	1.860	1 7/8	2000

M10* - CENTER TO BASE OF FLARE SEAT



TX-SE-45

Swivel Nut Elbow • Flare Tube End/Swivel Nut End

6502

MS51522
SAE 070321

Tube Fitting Part #	Tube O.D.	T Tube End UN/UNF-2A	T6 Swivel UN/UNF-2B	C3 Hex	D Drill	M2	M6	M11	Y Across Wrench Flats	Dynamic Pressure Rtg
TX-4-SE-45	1/4	7/16-20	7/16-20	9/16	.172	.720	.940	.590	7/16	7700
TX-5-SE-45	5/16	1/2-20	1/2-20	5/8	.234	.770	1.000	.630	9/16	6000
TX-6-SE-45	3/8	9/16-18	9/16-18	11/16	.297	.830	1.120	.750	9/16	6000
TX-8-SE-45	1/2	3/4-16	3/4-16	7/8	.391	.980	1.280	.860	3/4	6000
TX-10-SE-45	5/8	7/8-14	7/8-14	1	.484	1.110	1.440	.940	7/8	5000
TX-12-SE-45	3/4	1 1/16-12	1 1/16-12	1 1/4	.609	1.280	1.500	.940	1 1/16	5000
TX-14-SE-45	7/8	1 3/16-12	1 3/16-12	1 3/8	.718	1.390	1.620	1.090	1 3/16	2500
TX-16-SE-45	1	1 5/16-12	1 5/16-12	1 1/2	.844	1.470	1.750	1.160	1 5/16	2500
TX-20-SE-45	1 1/4	1 5/8-12	1 5/8-12	2	1.078	1.590	2.030	1.410	1 5/8	2500
TX-24-SE-45	1 1/2	1 7/8-12	1 7/8-12	2 1/4	1.312	1.780	2.250	1.560	1 7/8	2000

*M11 - CENTER TO BASE OF FLARE SEAT

TX-SBT

Swivel Nut Branch Tee • Flare Tube End/Swivel Nut End

6600

MS51524
SAE 070433

Tube Fitting Part #	Tube O.D.	T Tube End UN/UNF-2A	T6 Swivel UN/UNF-2B	C3 Hex	D Drill	M	M5	M10	Y Across Wrench Flats	Dynamic Pressure Rtg
TX-4-SBT	1/4	7/16-20	7/16-20	9/16	.172	.890	1.000	.660	7/16	7700
TX-5-SBT	5/16	1/2-20	1/2-20	5/8	.234	.950	1.060	.680	9/16	6000
TX-6-SBT	3/8	9/16-18	9/16-18	11/16	.297	1.060	1.250	.880	9/16	6000
TX-8-SBT	1/2	3/4-16	3/4-16	7/8	.391	1.250	1.380	.950	3/4	6000
TX-10-SBT	5/8	7/8-14	7/8-14	1	.484	1.450	1.620	1.130	7/8	5000
TX-12-SBT	3/4	1 1/16-12	1 1/16-12	1 1/4	.609	1.660	1.750	1.190	1 1/16	5000
TX-14-SBT	7/8	1 3/16-12	1 3/16-12	1 3/8	.718	1.800	1.780	1.330	1 5/16	2500
TX-16-SBT	1	1 5/16-12	1 5/16-12	1 1/2	.844	1.810	2.000	1.410	1 5/16	2500
TX-20-SBT	1 1/4	1 5/8-12	1 5/8-12	2	1.078	2.06	2.31	1.69	1 5/8	2500

M10* - CENTER TO BASE OF FLARE SEAT

TX-SRT

Swivel Nut Run Tee • Flare Tube End/Swivel Nut End

6602

SAE 070432

Tube Fitting Part #	Tube O.D.	T Tube End UN/UNF-2A	T6 Swivel UN/UNF-2A	C3 Hex	D Drill	M	M5	M10	Y Across Wrench Flats	Dynamic Pressure Rtg
TX-4-SRT	1/4	7/16-20	7/16-20	9/16	.172	.890	1.000	.660	7/16	7700
TX-5-SRT	5/16	1/2-20	1/2-20	5/8	.234	.950	1.060	.780	9/16	6000
TX-6-SRT	3/8	9/16-18	9/16-18	11/16	.297	1.060	1.250	.880	9/16	6000
TX-8-SRT	1/2	3/4-16	3/4-16	7/8	.391	1.250	1.380	.950	3/4	6000
TX-10-SRT	5/8	7/8-14	7/8-14	1	.484	1.450	1.620	1.130	7/8	5000
TX-12-SRT	3/4	1 1/16-12	1 1/16-12	1 1/4	.609	1.660	1.750	1.190	1 1/16	5000
TX-14-SRT	7/8	1 3/16-12	1 3/16-12	1 3/8	.718	1.800	1.780	1.330	1 5/16	2500
TX-16-SRT	1	1 5/16-12	1 5/16-12	1 1/2	.844	1.810	2.000	1.410	1 5/16	2500
TX-20-SRT	1 1/4	1 5/8-12	1 5/8-12	2	1.078	2.060	2.310	1.690	1 5/8	2500
TX-24-SRT	1 1/2	1 7/8-12	1 7/8-12	2 1/4	1.312	2.330	2.590	1.860	1 7/8	2000

M10* - CENTER TO BASE OF FLARE SEAT

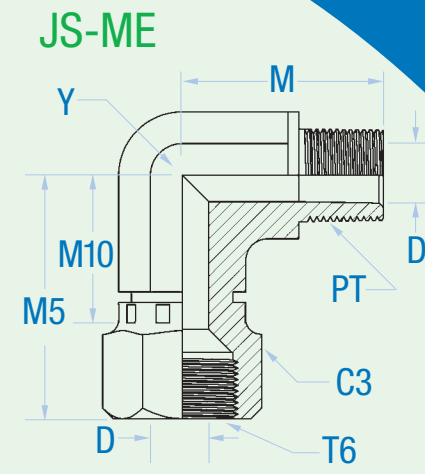
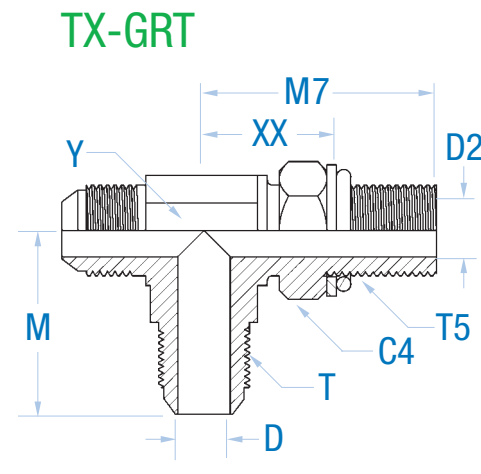
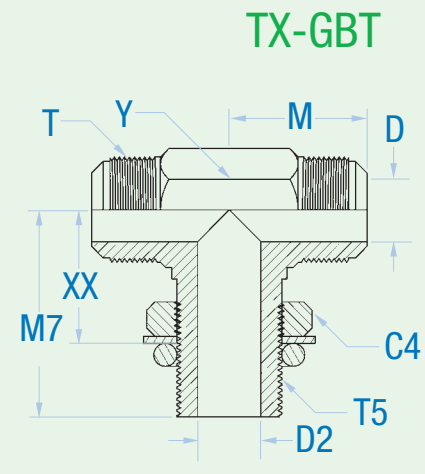
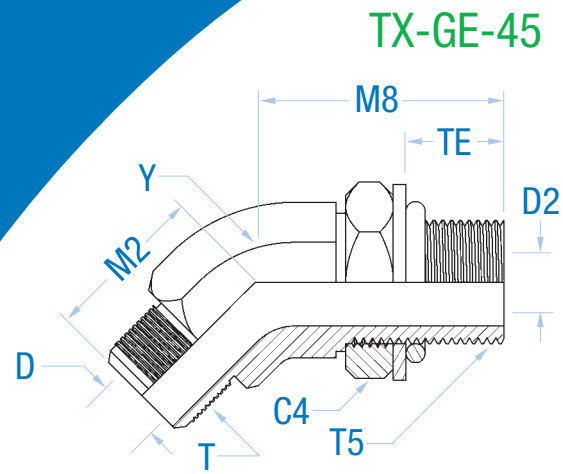
TX-GE

Straight Thread Elbow • Flare Tube End/Straight thread O-ring

6801

MS51527
SAE 070220

Tube Fitting Part #	Tube O.D.	T Tube End UN/UNF-2A	T5 Port THD UN/UNF-2A	C4 Hex	D Drill	D2 Drill	M	M7	YY After Assy.	Y Across Wrench Flats	Dynamic Pressure Rtg
TX-2-GE	1/8	5/16-24	5/16-24	7/16	.062	.062	.770	.940	.580	7/16	6000
TX-3-GE	3/16	3/8-24	3/8-24	1/2	.125	.125	.830	.940	.610	7/16	6000
TX-4-GE	1/4	7/16-20	7/16-20	9/16	.172	.172	.890	1.030	.640	7/16	6000
TX-4-6-GE	1/4	7/16-20	9/16-18	11/16	.172	.297	.050	1.250	.820	9/16	5400
TX-5-GE	5/16	1/2-20	1/2-20	5/8	.234	.234	.950	1.130	.700	9/16	5400
TX-5-4-GE	5/16	1/2-20	7/16-20	9/16	.234	.172	.950	1.130	.740	9/16	5400
TX-5-6-GE	5/16	1/2-20	9/16-18	11/16	.234	.297	.940	1.250	.790	9/16	5400
TX-6-GE	3/8	9/16-18	9/16-18	11/16	.297	.297	1.060	1.250	.820	9/16	5400
TX-6-4-GE	3/8	9/16-18	7/16-20	5/8	.297	.172	1.060	1.190	.800	9/16	5400
TX-6-5-GE	3/8	9/16-18	1/2-20	5/8	.297	.234	1.060	1.190	.720	9/16	5400
TX-6-8-GE	3/8	9/16-18	3/4-16	7/8	.297	.391	1.140	1.450	.960	3/4	5400
TX-6-10-GE	3/8	9/16-18	7/8-14	1	.297	.484	1.230	1.700	1.240	7/8	5400
TX-8-GE	1/2	3/4-16	3/4-16	7/8	.391	.391	1.250	1.450	.960	3/4	5400
TX-8-6-GE	1/2	3/4-16	9/16-18	13/16	.391	.297	1.250	1.360	.890	3/4	5400
TX-8-10-GE	1/2	3/4-16	7/8-14	1	.391	.484	1.340	1.700	1.140	7/8	5400
TX-8-12-GE	1/2	3/4-16	1 1/16-12	1 1/4	.391	.609	1.420	1.940	1.470	1 1/16	5400
TX-10-GE	5/8	7/8-14	7/8-14	1	.484	.484	1.450	1.700	1.140	7/8	5400
TX-10-8-GE	5/8	7/8-14	3/4-16	15/16	.484	.391	1.450	1.550	1.060	7/8	5400
TX-10-12-GE	5/8	7/8-14	1 1/16-12	1 1/4	.484	.609	1.530	1.940	1.790	1 1/16	5400
TX-12-GE	3/4	1 1/16-12	1 1/16-12	1 1/4	.609	.609	1.660	1.940	1.290	1 1/16	5400
TX-12-8-GE	3/4	1 1/16-12	3/4-16	1 1/8	.609	.391	1.660	1.630	1.160	1 1/16	5400
TX-12-10-GE	3/4	1 1/16-12	7/8-14	1 1/8	.609	.484	1.660	1.780	1.220	1 1/16	5400
TX-12-16-GE	3/4	1 1/16-12	1 5/16-12	1 1/2	.609	.844	1.810	2.050	1.400	1 5/16	3000
TX-14-GE	7/8	1 3/16-12	1 3/16-12	1 3/8	.718	.718	1.800	2.000	1.350	1 5/16	3000
TX-16-GE	1	1 5/16-12	1 5/16-12	1 1/2	.844	.844	1.810	2.050	1.400	1 5/16	3000
TX-16-12-GE	1	1 5/16-12	1 1/16-12	1 3/8	.844	.609	1.810	2.050	1.400	1 5/16	3000
TX-20-GE	1 1/4	1 5/8-12	1 5/8-12	1 7/8	1.078	1.078	2.060	2.250	1.600	1 5/8	2500
TX-20-16-GE	1 1/4	1 5/8-12	1 5/16-12	1 1/2	1.078	.844	2.060	2.250	1.600	1 5/8	2500
TX-24-GE	1 1/2	1 7/8-12	1 7/8-12	2 1/8	1.312	1.312	2.330	2.390	1.740	1 7/8	2000
TX-24-20-GE	1 1/2	1 7/8-12	1 5/8-12	1 7/8	1.312	1.078	2.330	2.390	1.740	1 7/8	2000
TX-32-GE	2	2 1/2-12	2 1/2-12	2 3/4	1.781	1.781	3.060	2.890	2.300	2 1/2	1500



TX-GE-45

Straight Thread Elbow-45 • Flare Tube End/Straight Thread O-ring

6802

MS51528
SAE 070320

Tube Fitting Part #	Tube O.D.	T Tube End UN/UNF-2A	T5 Port THD UN/UNF-2A	C4 Hex	D Drill	D2 Drill	M2	M8	TE	Y Across Wrench Flats	Dynamic Pressure Rtg
TX-4-GE-45	1/4	7/16-20	7/16-20	9/16	.172	.172	.720	1.050	.390	7/16	6000
TX-5-GE-45	5/16	1/2-20	1/2-20	5/8	.234	.234	.770	1.050	.390	9/16	5400
TX-6-GE-45	3/8	9/16-18	9/16-18	11/16	.297	.297	.830	1.140	.430	9/16	5400
TX-6-8-GE-45	3/8	9/16-18	3/4-16	7/8	.297	.391	.860	1.300	.490	3/4	5400
TX-8-GE-45	1/2	3/4-16	3/4-16	7/8	.391	.391	.980	1.300	.490	3/4	5400
TX-8-10-GE-45	1/2	3/4-16	7/8-14	1	.391	.484	1.000	1.520	.560	7/8	5400
TX-10-GE-45	5/8	7/8-14	7/8-14	1	.484	.484	1.110	1.520	.560	7/8	5400
TX-12-GE-45	3/4	1 1/16-12	1 1/16-12	1 1/4	.609	.609	1.280	1.730	.650	1 1/16	5400
TX-12-10-GE-45	3/4	1 1/16-12	7/8-14	1	.609	.484	1.280	1.580	.560	1 1/16	5400
TX-14-GE-45	7/8	1 3/16-12	1 3/16-12	1 3/8	.718	.718	1.450	1.860	.650	1 5/16	3000
TX-16-GE-45	1	1 5/16-12	1 5/16-12	1 1/2	.844	.844	1.470	1.860	.650	1 5/16	3000
TX-20-GE-45	1 1/4	1 5/8-12	1 5/8-12	1 7/8	1.078	1.078	1.590	1.910	.650	1 5/8	2500
TX-24-GE-45	1 1/2	1 7/8-12	1 7/8-12	2 1/8	1.312	1.312	1.780	1.910	.650	1 7/8	2000

TX-GRT

Straight Thread Run Tee • Flare Tube End/Straight Thread O-ring

6804

MS51530
SAE 070428

Tube Fitting Part #	Tube O.D.	T Tube End UN/UNF-2A	T5 Port THD UN/UNF-2A	C4 Hex	D Drill	D2 Drill	M	M7	XX After Assy.	Y Across Wrench Flats	Dynamic Pressure Rtg
TX-4-GRT	1/4	7/16-20	7/16-20	9/16	.172	.172	.890	1.030	7/16	.640	6000
TX-5-GRT	5/16	1/2-20	1/2-20	5/8	.234	.234	.970	1.130	9/16	.700	5400
TX-6-GRT	3/8	9/16-18	9/16-18	11/16	.297	.297	1.060	1.250	9/16	.820	5400
TX-8-GRT	1/2	3/4-16	3/4-16	7/8	.391	.391	1.250	1.450	3/4	.960	5400
TX-10-GRT	5/8	7/8-14	7/8-14	1	.484	.484	1.450	1.700	7/8	1.140	5400
TX-12-GRT	3/4	1 1/16-12	1 1/16-12	1 1/4	.609	.609	1.660	1.940	1 1/16	1.290	5400
TX-14-GRT	7/8	1 3/16-12	1 3/16-12	1 3/8	.718	.718	1.730	2.000	1 5/16	1.350	3000
TX-16-GRT	1	1 5/16-12	1 5/16-12	1 1/2	.844	.844	1.810	2.050	1 5/16	1.400	3000
TX-20-GRT	1 1/4	1 5/8-12	1 5/8-12	1 7/8	1.078	1.078	2.060	2.250	1 5/8	1.600	2500
TX-24-GRT	1 1/2	1 7/8-12	1 7/8-12	2 1/8	1.312	1.312	2.330	2.390	1 7/8	1.740	2000

TX-GBT

Straight Thread Branch Tee • Flare Tube End/Straight Thread O-ring

6803

MS51529
SAE 070429

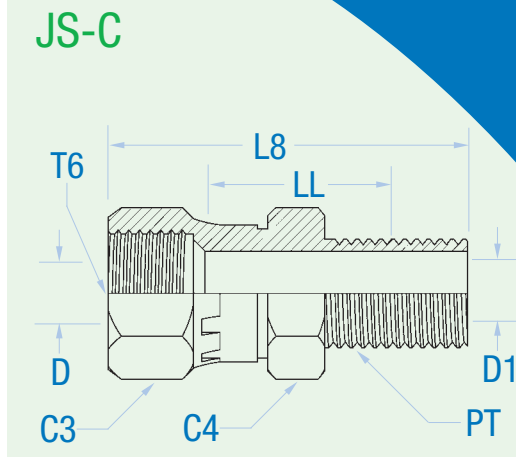
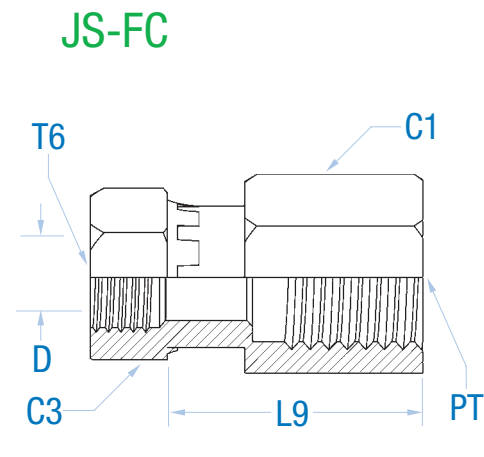
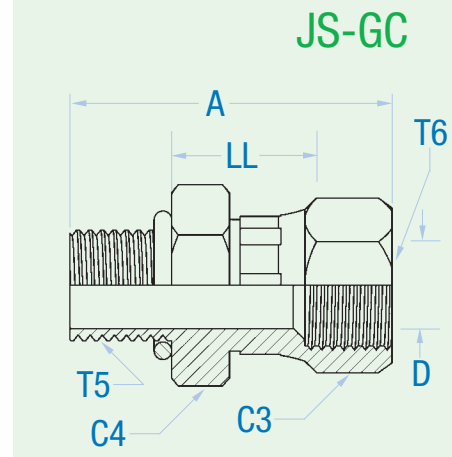
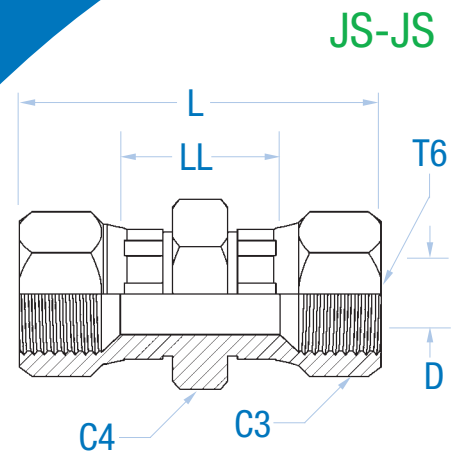
Tube Fitting Part #	Tube O.D.	T Tube End UN/UNF-2A	T5 Port THD UN/UNF-2A	C4 Hex	D Drill	D2 Drill	M	M7	XX After Assy.	Y Across Wrench Flats	Dynamic Pressure Rtg
TX-4-GBT	1/4	7/16-20	7/16-20	9/16	.172	.172	.890	1.030	.640	7/16	6000
TX-5-GBT	5/16	1/2-20	1/2-20	5/8	.234	.234	.970	1.130	.700	9/16	5400
TX-6-GBT	3/8	9/16-18	9/16-18	11/16	.297	.297	1.060	1.250	.820	9/16	5400
TX-8-GBT	1/2	3/4-16	3/4-16	7/8	.391	.391	1.250	1.450	.960	3/4	5400
TX-10-GBT	5/8	7/8-14	7/8-14	1	.484	.484	1.450	1.700	1.140	7/8	5400
TX-12-GBT	3/4	1 1/16-12	1 1/16-12	1 1/4	.609	.609	1.660	1.940	1.290	1 1/16	5400
TX-16-GBT	1	1 5/16-12	1 5/16-12	1 1/2	.844	.844	1.810	2.050	1.400	1 5/16	3000

JS-ME

Elbow 90 JIC Swivel/Male

6501

Tube Fitting Part #	PT Port THD NPTF	T6 UN/UNF-2B	C3 Hex	D Drill	M	M5	M10	Y Across Wrench Flats	Dynamic Pressure Rtg
JS-4-ME	1/8-27	7/16-20	9/16	.172	.78	1.01	.66	7/16	7700
JS-4-4-ME	1/4-18	7/16-20	9/16	.172	1.09	1.13	.78	9/16	7700
JS-6-ME	1/4-18	9/16-18	11/16	.297	1.09	1.27	.88	9/16	6000
JS-6-6-ME	3/8-18	9/16-20	11/16	.297	1.22	1.27	.88	3/4	6000
JS-8-ME	3/8-18	3/4-16	7/8	.391	1.22	1.34	.95	3/4	6000
JS-8-8-ME	1/2-14	3/4-16	7/8	.391	1.47	1.48	1.09	7/8	6000
JS-10-ME	1/2-14	7/8-14	1	.484	1.47	1.62	1.11	7/8	5000
JS-12-ME	3/4-14	1 1/16-12	1 1/4	.609	1.59	1.75	1.18	1 1/16	5000
JS-16-ME	1-11	1 5/16-12	1 1/2	.844	1.97	2.01	1.41	1 5/16	2500



JS-JS

Swivel Nut Union

6565

Part #	Tube O.D.	T6	C3 Hex	C4 Hex	D	L	LL	Dynamic Pressure Rtg.
JS-4-JS	1/4	7/16-20	9/16	9/16	.172	1.48	.80	6000
JS-6-JS	3/8	9/16-18	11/16	11/16	.297	1.75	1.01	6000
JS-8-JS	1/2	3/4-16	7/8	7/8	.391	2.02	1.16	6000
JS-10-JS	5/8	7/8-14	1	1	.484	2.24	1.26	4800
JS-12-JS	3/4	1 1/16-12	1 1/4	1 1/4	.609	2.43	1.31	4200
JS-16-JS	1	1 5/16-12	1 1/2	1 1/2	.844	2.68	1.50	3000

JS-FC

Swivel Female Connector • Swivel Nut End/Female Pipe End

6506

Part #	Tube O.D.	T6	PT NPTF	C1 Hex	C3 Hex	D	L9	Dynamic Pressure Rtg.
JS-4-FC	1/4	7/16-20	1/8-27	9/16	9/16	.172	.92	6000
JS-4-4-FC	1/4	7/16-20	1/4-18	3/4	9/16	.172	1.08	6000
JS-6-FC	3/8	9/16-18	1/4-18	3/4	11/16	.297	1.06	6000
JS-6-6-FC	3/8	9/16-18	3/8-18	7/8	11/16	.267	1.16	6000
JS-6-8-FC	3/8	9/16-18	1/2-14	1 1/8	11/16	.297	1.42	6000
JS-8-FC	1/2	3/4-16	3/8-14	7/8	7/8	.391	1.23	6000
JS-8-8-FC	1/2	3/4-16	1/2-14	1 1/8	7/8	.391	1.48	6000
JS-10-FC	5/8	7/8-14	1/2-14	1 1/8	1	.484	1.47	4800
JS-12-FC	3/4	1 1/16-12	3/4-14	1 3/8	1 1/4	.609	1.51	4200
JS-12-8-FC	3/4	1 1/16-12	1/2-14	1 1/4	1 1/4	.609	1.50	4200
JS-16-FC	1	1 5/16-12	1-11 1/2	1 5/8	1 1/2	.844	1.85	3000
JS-20-FC	1 1/4	1 5/8-12	1 1/4	2	2	1.078	2.17	3000
JS-24-FC	1 1/2	1 7/8-12	1 1/2	2 3/8	2 1/4	1.312	2.26	2400
JS-32-FC	2	2 1/2-12	2	2 7/8	2 7/8	1.781	2.45	1800

*L9 - PORT FACE TO BASE OF FLARE SEAT

JS-GC

Swivel Straight Thread Connector • Swivel Nut End/Straight Thread O-ring

6402

Part #	Tube O.D.	T5	T6	A	C3 Hex	C4 Hex	D	Dynamic Pressure Rtg.
JS-4-GC	1/4	7/16-20	7/16-20	1.31	9/16	9/16	.172	6000
JS-6-GC	3/8	9/16-18	9/16-18	1.43	11/16	11/16	.297	5400
JS-8-GC	1/2	3/4-16	3/4-16	1.61	7/8	7/8	.391	4800
JS-8-6-GC	1/2	3/8-16	3/4-16	1.54	7/8	13/16	.297	4800
JS-10-GC	5/8	7/8-14	7/8-12	1.84	1	1 1/16	.484	4800
JS-12-GC	3/4	1 1/16-12	1 1/16-12	2.07	1 1/4	1 1/4	.609	4200
JS-16-GC	1	1 5/16-12	1 5/16-12	2.28	1 1/2	1 1/2	.846	3000
JS-20-GC	1 1/4	1 5/8-12	1 5/8-12	2.49	2	2	1.078	3000

*LL - PORT FACE TO BASE OF FLARE SEAT

JS-C

Swivel Connector • Swivel Nut End/Male Pipe End

6505

Part #	Tube OD	T6	PT NPTF	C3 Hex	C4 Hex	D Drill	D1 Drill	L8	LL	Dynamic Pressure Rtg.
JS-4-C	1/4	7/16-20	1/8-27	9/16	9/16	.172	.172	1.13	.63	6000
JS-4-4-C	1/4	7/16-20	1/4-18	9/16	9/16	.172	.172	1.46	.85	6000
JS-5-4-C	5/16	1/2-20	1/4-18	5/8	5/8	.234	.281	1.57	.88	6000
JS-6-C	3/8	9/16-18	1/4-18	11/16	11/16	.297	.297	1.59	.94	5400
JS-6-6-C	3/8	9/16-18	3/8-18	11/16	3/4	.281	.281	1.59	.95	5400
JS-8-C	1/2	3/4-16	3/8-18	7/8	7/8	.391	.391	1.69	.95	4800
JS-8-8-C	1/2	3/4-16	1/2-14	7/8	7/8	.391	.391	1.92	1.07	4800
JS-10-C	5/8	7/8-14	1/2-14	1	1	.484	.484	2.05	1.07	4800
JS-10-6-C	5/8	7/8-14	3/8-18	1	1	.484	.406	1.87	.99	4200
JS-12-C	3/4	1 1/16-12	3/4-14	1 1/4	1 1/4	.609	.609	2.15	1.15	4200
JS-12-8-C	3/4	1 1/16-12	1/2-14	1 1/4	1 1/4	.594	.531	2.15	1.17	3000
JS-16-C	1	1 5/16-12	1-11 1/2	1 1/2	1 1/2	.844	.844	2.50	1.90	3000
JS-16-12-C	1	1 5/16-12	3/4-14	1 1/2	1 1/2	.844	.719	2.33	1.21	3000
JS-20-C	1 1/4	1 5/8-12	1 1/4	2	2	1.078	1.078	2.76	1.47	3000
JS-24-C	1 1/2	1 7/8-12	1 1/2	2 1/4	2 1/4	1.312	1.312	3.05	1.71	2400
JS-32-C	2	2 1/2-12	2	2 7/8	2 5/8	1.781	1.781	3.38	1.98	1800

LL* - PORT FACE TO BASE OF FLARE SEAT

D1* DRILL MAY BE PRESENT DUE TO MANUFACTURING OPTION PER SAE J514



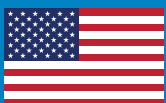
OmegaOne

P 800.333.2636

F 888.900.1615

sales@Omega1.com

www.Omega1.com



Made in the USA

