



OmegaOne

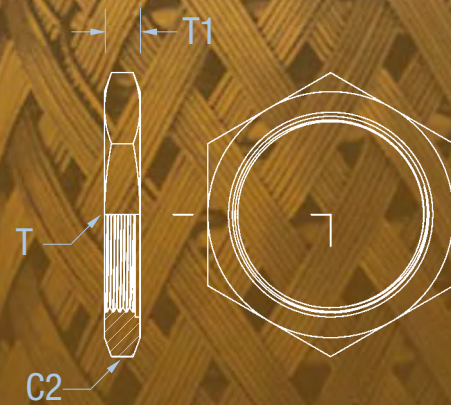
Fittings.  
Made.  
Easy.



AMFM Braid Bands  
Stainless Steel Tube  
and Pipe Fittings



# F Flareless Fittings



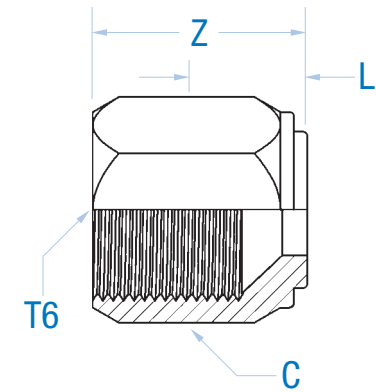
Bulkhead Locknut • Bulkhead Fitting Locknut

# BN

306  
MS51860  
SAE 080118

Part #	Tube O.D.	T	C2 Hex	T1
BN-3	3/16	3/8-24	5/8	.22
BN-4	1/4	7/16-20	11/16	.28
BN-5	5/16	1/2-20	3/4	.28
BN-6	3/8	9/16-18	13/16	.27
BN-8	1/2	3/4-16	1	.31
BN-10	5/8	7/8-14	1 1/8	.36
BN-12	3/4	1 1/16-12	1 3/8	.41
BN-14	7/8	1 3/16-12	1 1/2	.41
BN-16	1	1 5/16-12	1 5/8	.41
BN-20	1 1/4	1 5/8-12	1 7/8	.41
BN-24	1 1/2	1 7/8-12	2 1/8	.41
BN-32	2	2 1/2-12	2 3/4	.41

# F-Z



Cap • Flareless Tube Cap

Tube Fitting Part #	Tube O.D.	T6	C Hex	LL	Z	Dynamic Pressure Rtg
F-4-Z	1/4	7/16-20	9/16	.36	.73	6000
F-5-Z	5/16	1/2-20	5/8	.40	.77	6000
F-6-Z	3/8	9/16	11/16	.42	.80	6000
F-8-Z	1/2	3/4-16	7/8	.44	.87	5000
F-10-Z	5/8	7/8	1	.47	.98	5000
F-12-Z	3/4	1 1/16-12	1 1/4	.48	1.00	4500
F-16-Z	1	1 5/16-12	1 1/2	.58	1.08	4000

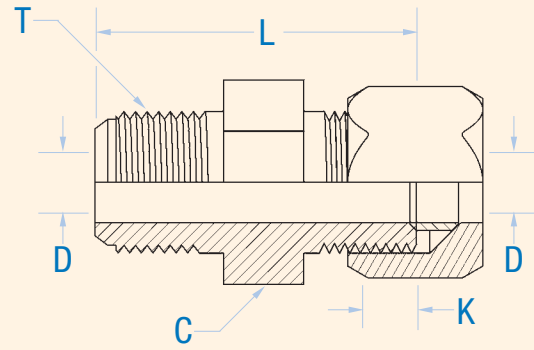
F-Z  
C304-C  
MS51890  
SAE 080112

# Flareless Fittings

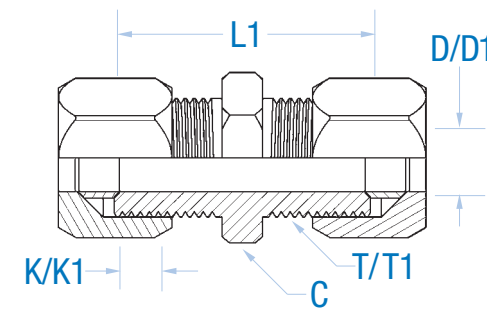


Call toll free:  
**800.333.2636**

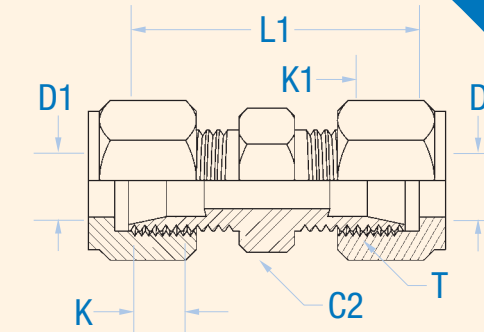
### F-TXU



### F-U



### F-LHU



# Flareless Fittings

F

## F-TXU

Union Adapter • Flareless Tube End/Male Flare End

C2402  
MS51856  
SAE 080119

Part #	Tube O.D.	T	C Hex	D Drill	K	L	Dynamic Pressure Rtg
F-4-TXU	1/4	7/16-20	1/2	.172	.234	1.19	5000
F-6-TXU	3/8	9/16-18	5/8	.297	.250	1.28	5000
F-8-TXU	1/2	3/4-16	13/16	.391	.305	1.47	5000
F-10-TXU	5/8	7/8-14	15/16	.484	.350	1.69	5000
F-12-TXU	3/4	1 1/16-12	1 1/8	.609	.350	1.94	4500
F-16-TXU	1	1 5/16-12	1 5/8	.844	.415	1.97	4000

Union Flareless Tube End • Flareless Tube End

Part #	Tube O.D.	T/T1	C Hex	D / D1	K / K1	L1	Dynamic Pressure Rtg
F-2-U	1/8	5/16-24	7/16	.094	.188	1.02	6000
F-3-U	3/16	3/8-24	7/16	.125	.234	1.11	6000
F-4-U	1/4	7/16-20	1/2	.203	.234	1.18	6000
F-5-U	5/16	1/2-20	9/16	.234	.250	1.18	6000
F-6-U	3/8	9/16-18	5/8	.281	.250	1.24	6000
F-8-U	1/2	3/4-16	13/16	.422	.305	1.42	5000
F-10-U	5/8	7/8-14	15/16	.500	.350	1.61	5000
F-12-U	3/4	1 1/16-12	1 1/8	.656	.350	1.81	4500
F-14-U	7/8	1 3/6-12	1 1/4	.718	.350	1.81	4000
F-16-U	1	1 5/16-12	1 3/8	.875	.415	1.81	4000
F-20-U	1 1/4	1 5/8-12	1 11/16	1.093	.415	1.89	3000
F-24-U	1 1/2	1 7/8-12	2	1.344	.485	1.96	2000
F-32-U	2	2 1/2-12	2 5/8	1.812	.485	2.11	1500

## F-U

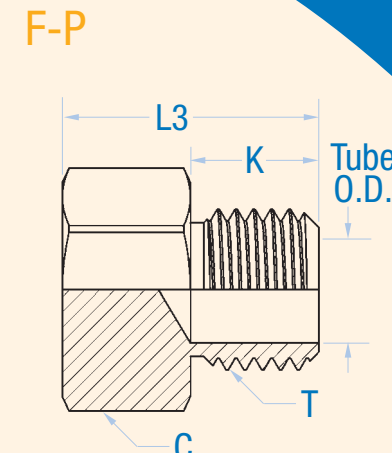
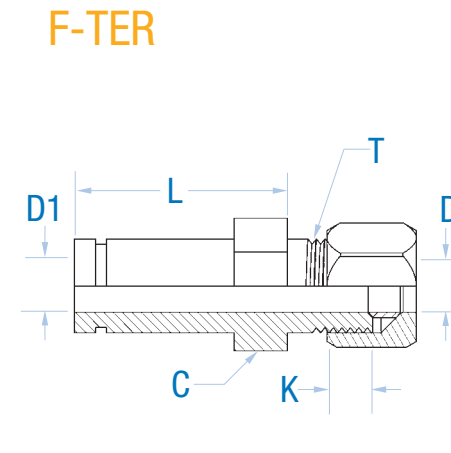
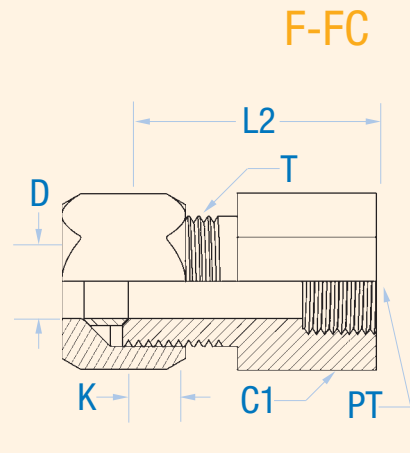
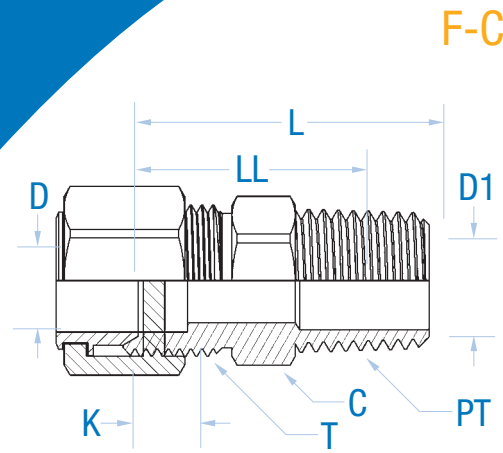
C2403  
MS51814  
SAE 080101

## F-LHU

Large Hex Union • Flareless Tube End/Flareless Tube End

Part #	Tube O.D.	T/T1	C2 Hex	D / D1	K / K1	L1	Dynamic Pressure Rtg
F-4-LHU	1/4	7/16-20	11/16	.203	.234	1.18	6000
F-6-LHU	3/8	9/16-18	13/16	.281	.250	1.24	6000
F-8-LHU	1/2	3/4-16	1	.422	.305	1.42	5000
F-10-LHU	5/8	7/8-14	1 1/8	.500	.350	1.61	5000
F-12-LHU	3/4	1 1/16-12	1 3/8	.656	.350	1.81	4500
F-16-LHU	1	1 5/16-12	1 5/8	.875	.415	1.81	4000

C2403-LH  
MS51856  
SAE 080119



# F-C

Male Connector • Flareless Tube End • Male Pipe End

C2404  
MS51819  
SAE 080102

Tube Fitting Part #	Tube O.D.	T Tube End UN/UNF-2A	PT Port THD NPTF	C Hex	D Drill	D1 Drill	K	L	LL After Assy.	Dynamic Pressure Rtg
F-2-C	1/8	5/16-24	1/8-27	7/16	.094	.187	.19	1.03	.80	5000
F-2-4-C	1/8	5/16-24	1/4-18	9/16	.094	.281	.19	1.25	.91	5000
F-3-C	3/16	3/8-24	1/8-27	7/16	.125	.187	.24	1.09	.86	5000
F-4-C	1/4	7/16-20	1/8-27	1/2	.203	.187	.24	1.13	.90	5000
F-4-4-C	1/4	7/16-20	1/4-18	9/16	.203	.281	.24	1.33	.99	5000
F-4-6-C	1/4	7/16-20	3/8-18	3/4	.203	.406	.24	1.33	.98	5000
F-4-8-C	1/4	7/16-20	1/2-14	7/8	.203	.531	.24	1.58	1.12	5000
F-5-C	5/16	1/2-20	1/8-27	9/16	.234	.187	.26	1.13	.90	5000
F-5-4-C	5/16	1/2-20	1/4-18	9/16	.234	.281	.26	1.33	.99	5000
F-6-C	3/8	9/16-18	1/4-18	5/8	.281	.281	.26	1.34	1.00	5000
F-6-2-C	3/8	9/16-18	1/8-27	5/8	.281	.187	.26	1.16	.93	5000
F-6-6-C	3/8	9/16-18	3/8-18	3/4	.281	.406	.26	1.34	.99	5000
F-6-8-C	3/8	9/16-18	1/2-14	7/8	.281	.531	.26	1.60	1.14	5000
F-8-C	1/2	3/4-16	3/8-18	13/16	.422	.406	.31	1.44	1.09	5000
F-8-4-C	1/2	3/4-16	1/4-18	13/16	.422	.281	.31	1.44	1.10	5000
F-8-8-C	1/2	3/4-16	1/2-14	7/8	.422	.531	.31	1.69	1.23	5000
F-8-12-C	1/2	3/4-16	3/4-14	1 1/8	.422	.718	.31	1.75	1.27	4000
F-10-C	5/8	7/8-14	1/2-14	15/16	.500	.531	.36	1.75	1.29	4500
F-10-6-C	5/8	7/8-14	3/8-18	15/16	.500	.406	.36	1.56	1.21	4500
F-10-12-C	5/8	7/8-14	3/4-14	1 1/8	.500	.718	.36	1.83	1.35	4500
F-12-C	3/4	1 1/16-12	3/4-14	1 1/8	.656	.718	.36	1.88	1.40	4000
F-12-8-C	3/4	1 1/16-12	1/2-14	1 1/8	.656	.531	.36	1.88	1.42	4000
F-14-C	7/8	1 3/16-12	3/4-14	1 1/4	.718	.718	.36	1.88	1.40	3000
F-16-C	1	1 5/16-12	1-11 1/2	1 3/8	.875	.937	.42	2.08	1.51	3000
F-16-12-C	1	1 5/16-12	3/4-14	1 3/8	.875	.718	.42	1.88	1.40	3000
F-20-C	1 1/4	1 5/8-12	1 1/4-11 1/2	1 11/16	1.093	1.250	.42	2.19	1.60	2500
F-24-C	1 1/2	1 7/8-12	1 1/2-11 1/2	2	1.344	1.500	.49	2.28	1.69	2500
F-32-C	2	2 1/2-12	2-11 1/2	2 3/4	1.812	1.937	.49	2.47	1.86	2000

\*D1 - DRILL MAY BE PRESENT DUE TO MANUFACTURERS OPTION PER SAE J514

# F-FC

Female Connector • Flareless Tube End/Female Pipe End

C2405  
MS51816  
SAE 080103

Tube Fitting Part #	Tube O.D.	T Tube End UN/UNF-2A	PT Port THD NPTF	C1 Hex	D Drill	K	L2	Dynamic Pressure Rtg.
F-2-FC	1/8	5/16-24	1/8-27	9/16	.094	.19	1.05	5000
F-4-FC	1/4	7/16-20	1/8-27	9/16	.203	.24	1.09	5000
F-4-4-FC	1/4	7/16-20	1/4-18	3/4	.203	.24	1.29	5000
F-5-FC	5/16	1/2-20	1/8-27	9/16	.234	.26	1.08	5000
F-6-FC	3/8	9/16-18	1/4-18	3/4	.281	.26	1.31	5000
F-6-6-FC	3/8	9/16-18	3/8-18	7/8	.281	.26	1.34	5000
F-6-8-FC	3/8	9/16-18	1/2-14	1 1/8	.281	.26	1.59	5000
F-8-FC	1/2	3/4-16	3/8-18	7/8	.422	.31	1.47	5000
F-8-4-FC	1/2	3/4-16	1/4-18	7/8	.422	.31	1.46	5000
F-8-8-FC	1/2	3/4-16	1/2-14	1 1/8	.422	.31	1.69	5000
F-10-FC	5/8	7/8-14	1/2-14	1 1/8	.500	.36	1.77	4500
F-12-FC	3/4	1 1/16-12	3/4-14	1 3/8	.656	.36	1.89	4000
F-14-FC	7/8	1 3/16-12	3/4-14	1 3/8	.718	.36	1.86	3000
F-16-FC	1	1 5/16-12	1-11 1/2	1 5/8	.875	.42	2.13	3000
F-20-FC	1 1/4	1 5/8-12	1 1/4-11 1/2	2	1.093	.42	2.22	2500
F-24-FC	1 1/2	1 7/8-12	1 1/2-11 1/2	2 3/8	1.344	.49	2.23	2500

# F-TER

Tube End Reducer • Flareless Tube End Reducer

Tube Fitting Part #	Tube O.D.	T Tube End UN/UNF-2A	T6 Swivel UN/UNF-2B	C3 Hex	D Drill	D1 Drill	K	L	Q	Dynamic Pressure Rtg
F-6-4-TER	3/8 to 1/4	.375	7/16-20	1/2	.203	.250	.234	1.61	.88	6000
F-8-4-TER	1/2 to 1/4	.500	7/16-20	9/16	.203	.375	.234	1.73	1.00	5000
F-8-6-TER	1/2 to 3/8	.500	9/16-18	5/8	.281	.375	.250	1.77	1.00	5000
F-10-8-TER	5/8 to 1/2	.625	3/4-16	13/16	.422	.500	.305	1.95	1.09	5000
F-12-6-TER	3/4 to 3/8	.750	9/16-18	13/16	.281	.625	.250	1.94	1.16	4500
F-12-8-TER	3/4 to 1/2	.750	3/4-16	13/16	.422	.625	.305	2.03	1.16	4500
F-16-8-TER	1 to 1/2	1.00	3/4-16	1 1/16	.422	.844	.305	2.05	1.13	4000
F-16-12-TER	1 to 3/4	1.00	1 1/16-12	1 1/8	.656	.844	.350	2.25	1.13	4000

# F-TER

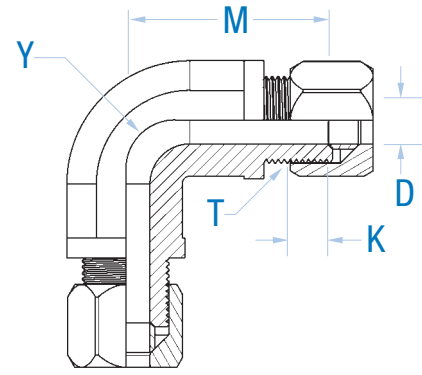
C2406  
SAE 080123

Plug • Flareless Tube End Plug

Tube Fitting Part #	Tube O.D.	T	C Hex	K	L3	Dynamic Pressure Rtg
F-4-P	1/4	7/16-20	1/2	.234	.72	6000
F-5-P	5/16	1/2-20	9/16	.250	.72	6000
F-6-P	3/8	9/16-18	5/8	.250	.75	6000
F-8-P	1/2	3/4-16	13/16	.305	.84	5000
F-10-P	5/8	7/8-14	15/16	.350	.97	5000
F-12-P	3/4	1 1/16-12	1 1/8	.350	1.09	4500
F-16-P	1	1 5/16-12	1 3/8	.415	1.09	4000

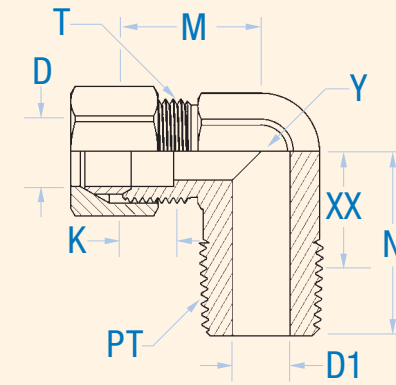
# F-P

C2408  
MS51891  
SAE 080109



F-E

F-ME



F

F-E

Union Elbow • Flareless Tube End/Flareless Tube End

C2500  
MS51820  
SAE 080201

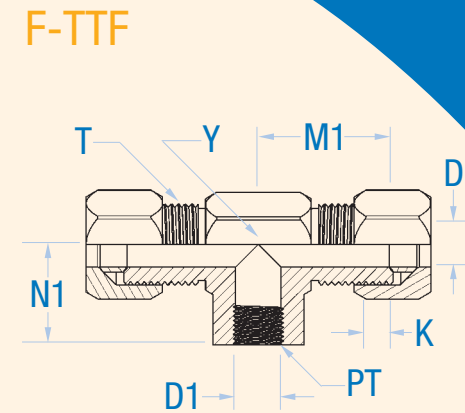
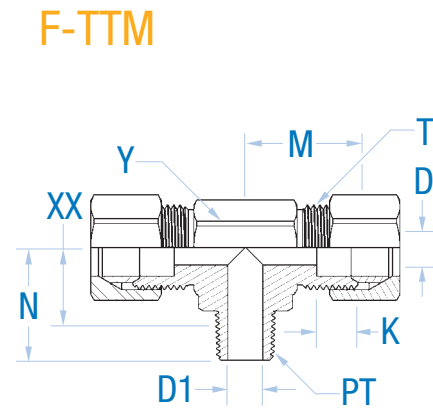
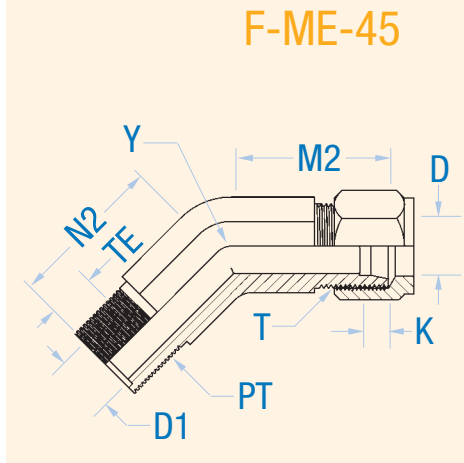
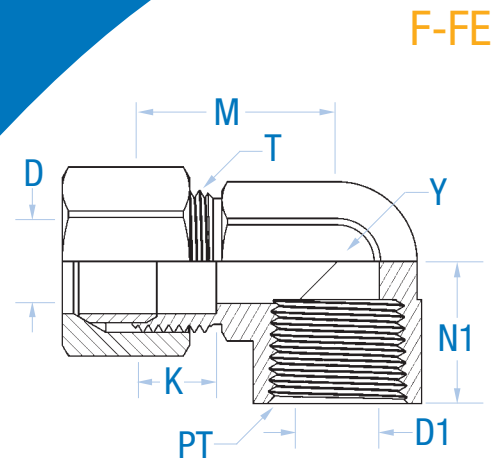
Part #	Tube O.D.	T	D Drill	K	M	Y Across Wrench Flats	Dynamic Pressure Rtg
F-2-E	1/8	5/16-24	.094	.188	.77	7/16	5000
F-4-E	1/4	7/16-20	.203	.234	.89	7/16	5000
F-5-E	5/16	1/2-20	.234	.250	.95	9/16	5000
F-6-E	3/8	9/16-18	.282	.250	1.05	9/16	5000
F-8-E	1/2	3/4-16	.422	.305	1.25	3/4	5000
F-10-E	5/8	7/8	.500	.350	1.42	7/8	4500
F-12-E	3/4	1 1/16-12	.656	.350	1.58	1 1/16	4000
F-14-E	7/8	1 3/16-12	.718	.350	1.66	1 5/16	3000
F-16-E	1	1 5/16-12	.875	.415	1.73	1 5/16	3000
F-20-E	1 1/4	1 5/8-12	1.093	.415	1.89	1 5/8	2500
F-24-E	1 1/2	1 7/8-12	1.344	.485	2.02	1 7/8	2000
F-32-E	2	2 1/2-12	1.813	.485	2.45	2 1/2	1500

Flareless Tube End • Male Pipe End

Tube Fitting Part #	Tube O.D.	T Tube End UN/UNF-2A	PT Port THD NPTF	D Drill	D1 Drill	K	M	N	XX After Assy.	Y Across Wrench Flats	Dynamic Pressure Rtg
F-2-ME	1/8	5/16-24	1/8-27	.094	.188	.19	.78	.72	.49	7/16	5000
F-3-ME	3/16	3/8-24	1/8-27	.125	.188	.24	.84	.72	.49	7/16	5000
F-4-ME	1/4	7/16-20	1/8-27	.203	.188	.24	.89	.78	.55	7/16	5000
F-4-4-ME	1/4	7/16-20	1/4-18	.203	.281	.24	1.03	1.09	.75	9/16	5000
F-4-6-ME	1/4	7/16-20	3/8-18	.203	.406	.24	1.13	1.22	.87	3/4	5000
F-5-ME	5/16	1/2-20	1/8-27	.234	.188	.26	.95	.81	.58	9/16	5000
F-5-4-ME	5/16	1/2-20	1/4-18	.234	.281	.26	1.03	1.09	.75	9/16	5000
F-6-ME	3/8	9/16-18	1/4-18	.282	.281	.26	1.05	1.09	.75	9/16	5000
F-6-2-ME	3/8	9/16-18	1/8-27	.282	.188	.26	1.05	.88	.65	9/16	5000
F-6-6-ME	3/8	9/16-18	3/8-18	.282	.406	.26	1.14	1.22	.87	3/4	5000
F-6-8-ME	3/8	9/16-18	1/2-14	.282	.531	.26	1.23	1.47	1.01	7/8	5000
F-8-ME	1/2	3/4-16	3/8-18	.422	.406	.31	1.25	1.22	.87	3/4	5000
F-8-4-ME	1/2	3/4-16	1/4-18	.422	.281	.31	1.25	1.16	.82	3/4	5000
F-8-8-ME	1/2	3/4-16	1/2-14	.422	.531	.31	1.34	1.47	1.01	7/8	5000
F-8-12-ME	1/2	3/4-16	3/4-14	.422	.719	.31	1.42	1.59	1.11	1 1/16	4000
F-10-ME	5/8	7/8-14	1/2-14	.500	.531	.36	1.42	1.47	1.01	7/8	4500
F-10-6-ME	5/8	7/8-14	3/8-18	.500	.406	.36	1.42	1.30	.95	7/8	4500
F-12-ME	3/4	1 1/16-12	3/4-14	.656	.719	.36	1.58	1.59	1.11	1 1/16	4000
F-12-8-ME	3/4	1 1/16-12	1/2-14	.656	.531	.36	1.58	1.59	1.13	1 1/16	4000
F-14-ME	7/8	1 3/16-12	3/4-14	.718	.719	.36	1.66	1.69	1.21	1 5/16	3000
F-16-ME	1	1 5/16-12	1-11 1/2	.875	.938	.42	1.73	1.97	1.40	1 5/16	3000
F-16-12-ME	1	1 5/16-12	3/4-14	.875	.719	.42	1.73	1.78	1.30	1 5/16	3000
F-20-ME	1 1/4	1 5/8-12	1 1/4-11 1/2	1.094	1.250	.42	1.89	2.38	1.79	1 5/8	2500
F-24-ME	1 1/2	1 7/8-12	1 1/2-11 1/2	1.344	1.500	.49	2.02	2.64	2.05	1 7/8	2500
F-32-ME	2	2 1/2-12	2-11 1/2	1.813	1.938	.49	2.45	3.00	2.39	2 1/2	2000

F-ME

C2501  
MS51815  
SAE 080202



# F-FE

Female Elbow • Flareless Tube End/Female Pipe End

C2502  
MS51813  
SAE 080203

Tube Fitting Part #	Tube O.D.	T Tube End UN/UNF-2A	PT Port THD NPTF	D Drill	D1 Drill	K	M	N1	Y Across Wrench Flats	Dynamic Pressure Rtg
F-4-FE	1/4	7/16-20	1/8-27	.203	.328	.24	.89	.66	9/16	5000
F-4-4-FE	1/4	7/16-20	1/4-18	.203	.422	.24	1.03	.88	3/4	5000
F-5-FE	5/16	1/2-20	1/8-27	.234	.328	.26	.95	.66	9/16	5000
F-6-FE	3/8	9/16-18	1/4-18	.282	.422	.26	1.05	.88	3/4	5000
F-6-6-FE	3/8	9/16-18	3/8-18	.282	.563	.26	1.13	1.02	7/8	4500
F-8-FE	1/2	3/4-16	3/8-18	.422	.563	.31	1.23	1.02	7/8	3000
F-8-4-FE	1/2	3/4-16	1/4-18	.422	.422	.31	1.23	.88	3/4	5000
F-8-8-FE	1/2	3/4-16	1/2-14	.422	.688	.31	1.34	1.23	1 1/16	3000
F-10-FE	5/8	7/8-14	1/2-14	.500	.688	.36	1.42	1.23	1 1/16	3000
F-12-FE	3/4	1 1/16-12	3/4-14	.656	.906	.36	1.58	1.36	1 5/16	3000
F-14-FE	7/8	1 3/16-12	3/4-14	.718	.906	.36	1.62	1.42	1 5/16	3000
F-16-FE	1	1 5/16-12	1-11 1/2	.875	1.125	.42	1.73	1.63	1 5/8	1750
F-20-FE	1 1/4	1 5/8-12	1 1/4-11 1/2	1.093	1.469	.42	2.08	1.70	1 7/8	1500
F-24-FE	1 1/2	1 7/8-12	1 1/2-11 1/2	1.344	1.719	.49	2.58	2.08	2 1/2	1000

# F-ME-45

45° Male Elbow • Flareless Tube End/Male Pipe End

C2503  
MS51817  
SAE 080302

Tube Fitting Part #	Tube O.D.	T Tube End UN/UNF-2A	PT Port THD NPTF	D Drill	D1 Drill	K	M2	N2	TE After Assy.	Y Across Wrench Flats	Dynamic Pressure Rtg
F-3-ME-45	3/16	3/8-24	1/8-27	.125	.188	.24	.64	.52	.23	7/16	5000
F-4-ME-45	1/4	7/16-20	1/8-27	.203	.188	.24	.70	.64	.23	7/16	5000
F-4-4-ME-45	1/4	7/16-20	1/4-18	.203	.281	.24	.81	.86	.34	9/16	5000
F-5-ME-45	5/16	1/2-20	1/8-27	.234	.188	.26	.75	.66	.23	9/16	5000
F-6-ME-45	3/8	9/16-18	1/4-18	.282	.281	.26	.83	.86	.34	9/16	5000
F-8-ME-45	1/2	3/4-16	3/8-18	.422	.406	.31	.98	.95	.35	3/4	5000
F-10-ME-45	5/8	7/8-14	1/2-14	.500	.531	.36	1.08	1.17	.46	7/8	4500
F-12-ME-45	3/4	1 1/16-12	3/4-14	.656	.719	.36	1.27	1.20	.48	1 1/16	4000
F-14-ME-45	7/8	1 3/16-12	3/4-14	.718	.719	.36	1.34	1.30	.48	1 5/16	3000
F-16-ME-45	1	1 5/16-12	1-11 1/2	.875	.938	.42	1.36	1.48	.57	1 5/16	3000
F-20-ME-45	1 1/4	1 5/8-12	1 1/4-11 1/2	1.093	1.250	.42	1.45	1.67	.59	1 5/8	2500

# F-TTM

Male Branch Tee • Flareless Tube End • Male Pipe End

Tube Fitting Part #	Tube O.D.	T Tube End UN/UNF-2A	PT Port THD NPTF	D Drill	D1 Drill	K	M	N	XX After Assy.	Y Across Wrench Flats	Dynamic Pressure Rtg
F-2-TTM	1/8	5/16-24	1/8-27	.093	.188	.20	.77	.72	.49	7/16	5000
F-4-TTM	1/4	7/16-20	1/8-27	.203	.188	.24	.89	.78	.55	7/16	5000
F-4-4-4-TTM	1/4	7/16-20	1/4-18	.203	.281	.24	1.03	1.09	.75	9/16	5000
F-5-TTM	5/16	1/2-20	1/8-27	.234	.188	.26	.95	.81	.58	9/16	5000
F-6-TTM	3/8	9/16-18	1/4-18	.281	.281	.26	1.05	1.09	.75	9/16	5000
F-8-TTM	1/2	3/4-16	3/8-18	.422	.406	.31	1.25	1.22	.87	3/4	5000
F-8-8-8-TTM	1/2	3/4-16	1/2-14	.422	.531	.31	1.34	1.47	1.01	7/8	5000
F-10-TTM	5/8	7/8-14	1/2-14	.500	.531	.36	1.42	1.47	1.01	7/8	4500
F-12-TTM	3/4	1 1/16-12	3/4-14	.656	.719	.36	1.58	1.59	1.11	1 1/16	4000
F-14-TTM	7/8	1 3/16-12	3/4-14	.718	.719	.36	1.66	1.69	1.18	1 5/16	3000
F-16-TTM	1	1 5/16-12	1-11 1/2	.875	.938	.42	1.73	1.97	1.40	1 5/16	3000

C2601  
MS51818  
SAE 080425

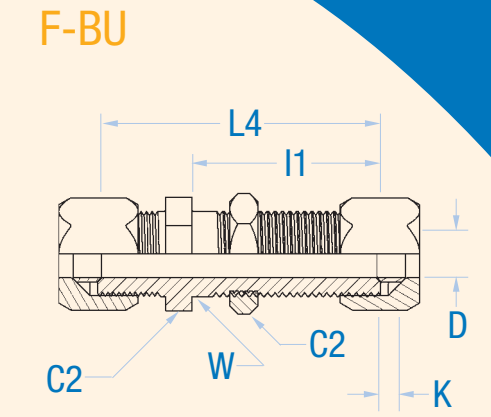
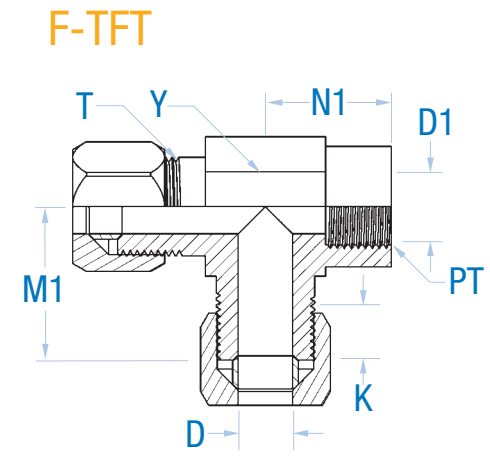
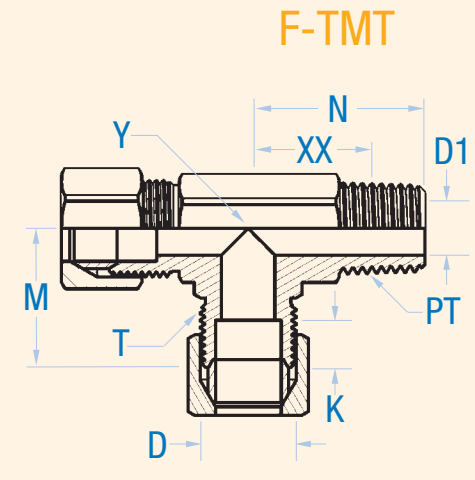
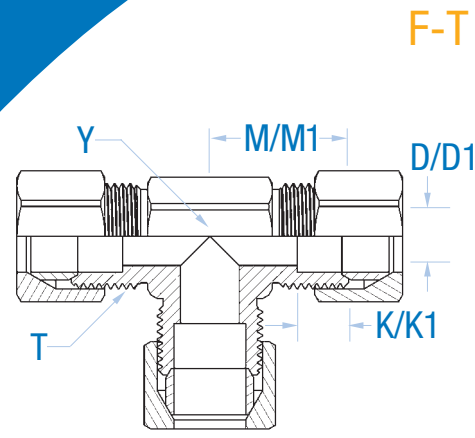
# F-TTM

Female Branch Tee • Flareless Tube End/Female Pipe End

Part #	Tube O.D.	T Tube End UN/UNF-2A	PT Port THD NPTF	D Drill	D1 Drill	K	M1	N1	Y Across Wrench Flats	Dynamic Pressure Rtg
F-4-TTF	1/4	7/16-20	1/8-27	.203	.328	.24	.89	.66	9/16	5000
F-4-4-4-TTF	1/4	7/16-20	1/4-18	.203	.422	.24	1.03	.88	3/4	5000
F-6-TTF	3/8	9/16-18	1/4-18	.282	.422	.26	1.05	.88	3/4	5000
F-8-TTF	1/2	3/4-16	3/8-18	.422	.563	.31	1.23	1.02	7/8	3000
F-10-TTF	5/8	7/8-14	1/2-14	.500	.688	.36	1.42	1.23	1 1/16	3000
F-12-TTF	3/4	1 1/16-12	3/4-14	.656	.906	.36	1.58	1.36	1 5/16	3000
F-14-TTF	7/8	1 3/16-12	3/4-14	.718	.906	.36	1.62	1.42	1 5/16	3000
F-16-TTF	1	1 5/16-12	1-11 1/2	.875	1.125	.42	1.73	1.62	1 5/8	1750
F-20-TTF	1 1/4	1 5/8-12	1 1/4-11 1/2	1.093	1.469	.42	2.08	1.70	1 7/8	1500

C2602  
MS51821  
SAE 080427

# F-TTF



# F-T

Union Tee • Flareless Tube End

C2603  
MS51811  
SAE 080401

Part #	Tube O.D.	T/T1	D/D1	K/K1	M/M1	Y Across Wrench Flats	Dynamic Pressure Rtg
F-4-T	1/4	7/16-20	.203	.234	.89	7/16	5000
F-5-T	5/16	1/2-20	.234	.250	.95	9/16	5000
F-6-T	3/8	9/16-18	.281	.250	1.05	9/16	5000
F-8-T	1/2	3/4-16	.422	.305	1.25	3/4	5000
F-10-T	5/8	7/8-14	.500	.350	1.42	7/8	4500
F-12-T	3/4	1 1/16-12	.656	.350	1.58	1 1/16	4000
F-16-T	1	1 3/16-12	.875	.415	1.73	1 5/16	3000
F-20-T	1 1/4	1 5/8-12	1.093	.415	1.89	1 5/8	2500
F-24-T	1 1/2	1 7/8-12	1.344	.485	2.02	1 7/8	2000

Female Run Tee • Flareless Tube End/Female Pipe End

Tube Fitting Part #	Tube O.D.	T Tube End UN/UNF-2A	PT Port THD NPTF	D Drill	D1 Drill	K	M1	N1	Y Across Wrench Flats	Dynamic Pressure Rtg
F-4-TFT	1/4	7/16-20	1/8-27	.203	.328	.24	.89	.66	9/16	5000
F-6-TFT	3/8	9/16-18	1/4-18	.282	.422	.26	1.05	.88	3/4	5000
F-8-TFT	1/2	3/4-16	3/8-18	.422	.563	.31	1.23	1.02	7/8	3000
F-10-TFT	5/8	7/8-14	1/2-14	.500	.688	.36	1.42	1.23	1 1/16	3000
F-12-TFT	3/4	1 1/16-12	3/4-14	.656	.906	.36	1.58	1.36	1 5/16	3000
F-16-TFT	1	1 5/16-12	1-11 1/2	.875	1.125	.42	1.73	1.62	1 5/8	1750

# F-TFT

C2606  
MS51822  
SAE 080426

# F-TMT

Male Run Tee • Flareless Tube End • Male Pipe End

C2605  
MS51824  
SAE 080424

Tube Fitting Part #	Tube O.D.	T Tube End UN/UNF-2A	PT Port THD NPTF	D Drill	D1 Drill	K	M	N	XX After Assy.	Y Across Wrench Flats	Dynamic Pressure Rtg
F-4-TMT	1/4	7/16-20	1/8-27	.203	.188	.24	.89	.78	.55	7/16	5000
F-4-4-TMT	1/4	7/16-20	1/4-18	.203	.281	.24	1.03	1.09	.75	9/16	5000
F-5-TMT	5/16	1/2-20	1/8-27	.234	.188	.26	.95	.81	.58	9/16	5000
F-6-TMT	3/8	9/16-18	1/4-18	.282	.281	.26	1.05	1.09	.75	9/16	5000
F-8-TMT	1/2	3/4-16	3/8-18	.422	.406	.31	1.25	1.22	.87	3/4	5000
F-8-8-TMT	1/2	3/4-16	1/2-14	.422	.531	.31	1.34	1.47	1.01	7/8	5000
F-10-TMT	5/8	7/8-14	1/2-14	.500	.531	.36	1.42	1.47	1.01	7/8	4500
F-12-TMT	3/4	1 1/16-12	3/4-14	.656	.719	.36	1.58	1.59	1.11	1 1/16	4000
F-14-TMT	7/8	1 3/16-12	3/4-14	.718	.719	.36	1.62	1.69	1.21	1 5/16	3000
F-16-TMT	1	1 5/16-12	1-11 1/2	.875	.938	.42	1.73	1.97	1.40	1 5/16	3000

\*D1 - DRILL MAY BE PRESENT DUE TO MANUFACTURERS OPTION PER SAE J514

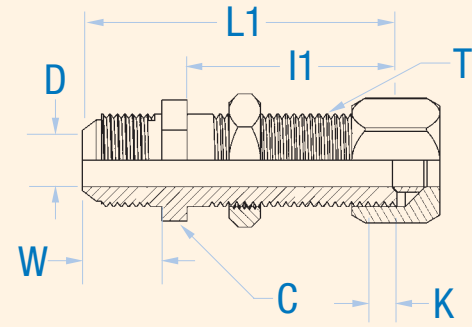
Bulkhead Union • Flareless Tube End/Flareless Tube End

Part #	Tube O.D.	T	C2 Hex	D Drill	I1	K	L4	W	Dynamic Pressure Rtg
F-4-BU	1/4	7/16	11/16	.203	1.12	.234	1.89	.44	6000
F-6-BU	3/8	9/16	13/16	.281	1.17	.250	1.98	.56	6000
F-8-BU	1/2	3/4-16	1	.422	1.31	.305	2.22	.75	5000
F-10-BU	5/8	7/8-14	1 1/8	.500	1.45	.350	2.48	.88	5000
F-12-BU	3/4	1 1/16-12	1 3/8	.656	1.56	.350	2.72	1.06	4500
F-16-BU	1	1 5/16-12	1 5/8	.875	1.56	.415	2.72	1.31	4000

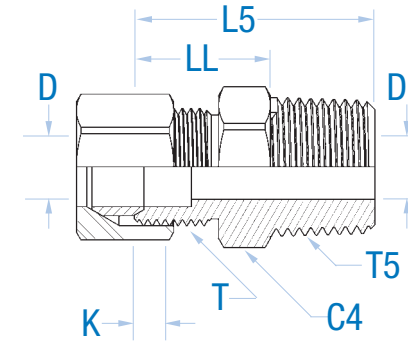
# F-BU

C2700  
SAE 080601

F-TX2U



F-GC



F-TX2U

Bulkhead Union Adapter • Flareless Tube Bulkhead End/Male Flare End

C2707  
MS51824  
SAE 080424

Part #	Tube O.D.	T	C	D Drill	I1	K	L1	W	Dynamic Pressure Rtg
F-4-TX2U	1/4	7/16-20	11/16	.172	1.12	.234	1.94	.44	5000
F-6-TX2U	3/8	9/16-18	13/16	.297	1.17	.250	2.08	.56	5000
F-8-TX2U	1/2	3/4-16	1	.391	1.31	.305	2.31	.75	5000
F-10-TX2U	5/8	7/8-14	1 1/8	.484	1.45	.350	2.56	.88	5000
F-12-TX2U	3/4	1 1/16-12	1 3/8	.609	1.56	.350	2.94	1.06	4500
F-16-TX2U	1	1 5/16-12	1 5/8	.844	1.56	.415	2.95	1.31	4000

Straight Thread Connector • Flareless Tube End/Straight Thread O-Ring

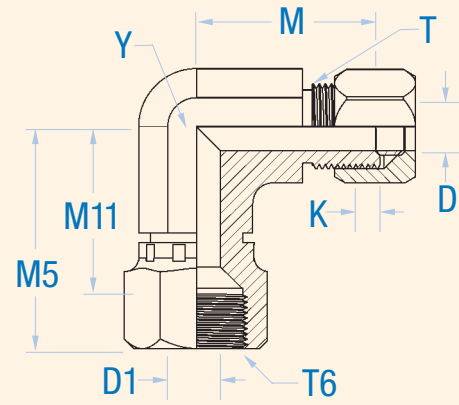
Tube Fitting Part #	Tube O.D.	T Tube End UN/UNF-2A	T5 Port THD UN/UNF-2A	C4 Hex	D Drill	D2 Drill	K	L5	LL After Assy.	Dynamic Pressure Rtg
F-2-GC	1/8	5/16-24	5/16-24	7/16	.094	.094	.19	1.00	.70	5000
F-3-GC	3/16	3/8-24	3/8-24	1/2	.125	.125	.24	1.05	.75	5000
F-4-GC	1/4	7/16-20	7/16-20	9/16	.203	.203	.24	1.13	.77	5000
F-4-5-GC	1/4	7/16-20	1/2-20	5/8	.203	.234	.24	1.13	.77	5000
F-4-6-GC	1/4	7/16-20	9/16-18	11/16	.203	.281	.24	1.20	.81	5000
F-4-10-GC	1/4	7/16-20	7/8-18	1	.203	.500	.24	1.40	.90	5000
F-5-GC	5/16	1/2-20	1/2-20	5/8	.234	.234	.26	1.13	.77	5000
F-6-GC	3/8	9/16-18	9/16-18	11/16	.281	.281	.26	1.22	.83	5000
F-6-4-GC	3/8	9/16-18	7/16-20	5/8	.281	.203	.26	1.19	.83	5000
F-6-8-GC	3/8	9/16-18	3/4-16	7/8	.281	.422	.26	1.28	.84	5000
F-8-GC	1/2	3/4-16	3/4-16	7/8	.422	.422	.31	1.38	.94	5000
F-8-6-GC	1/2	3/4-16	9/16-18	13/16	.422	.281	.31	1.28	.89	5000
F-8-10-GC	1/2	3/4-16	7/8-14	1	.422	.500	.31	1.50	1.00	5000
F-8-12-GC	1/2	3/4-16	1 1/16-12	1 1/4	.422	.656	.31	1.67	1.08	4500
F-10-GC	5/8	7/8-14	7/8-14	1	.500	.500	.36	1.56	1.06	5000
F-10-12-GC	5/8	7/8-14	1 1/16-12	1 1/4	.500	.500	.36	1.73	1.14	4500
F-12-GC	3/4	1 1/16-12	1 1/16-12	1 1/4	.656	.656	.36	1.78	1.19	4500
F-12-8-GC	3/4	1 1/16-12	3/4-16	1 1/8	.656	.422	.36	1.75	1.19	4500
F-12-16-GC	3/4	1 1/16-12	1 5/16-12	1 1/2	.656	.875	.36	1.81	1.22	4000
F-16-GC	1	1 5/16-12	1 5/16-12	1 1/2	.875	.875	.42	1.81	1.22	4000
F-16-12-GC	1	1 5/16-12	1 1/16-12	1 3/8	.875	.656	.42	1.81	1.22	4000
F-16-20-GC	1	1 5/16-12	1 5/8-12	1 7/8	.875	1.093	.42	1.91	1.31	3000
F-20-GC	1 1/4	1 5/8-12	1 5/8-12	1 7/8	1.093	1.093	.42	1.91	1.31	3000
F-24-GC	1 1/2	1 7/8-12	1 7/8-12	2 1/2	1.344	1.344	.49	1.97	1.37	3000
F-32-GC	2	2 1/2-12	2 1/2-12	2 3/4	1.813	1.813	.49	2.13	1.53	2000

F-GC

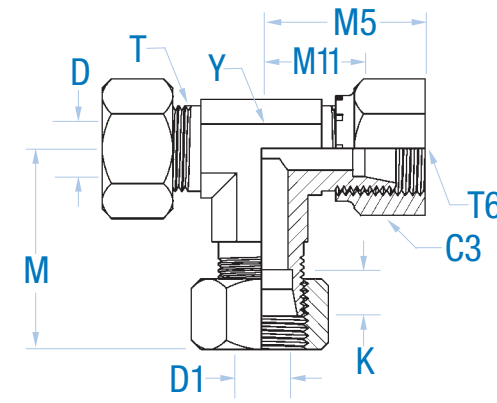
C6400  
MS51843  
SAE 080120



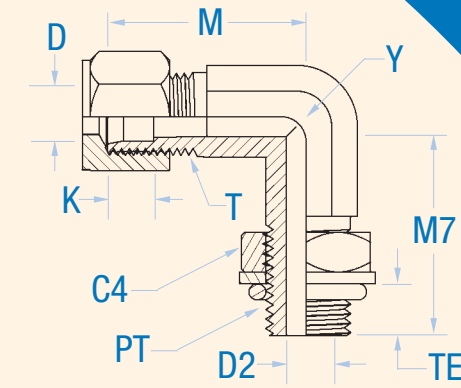
F-SE



F-SRT



F-GE



Flareless Fittings



F-SE

Swivel Nut Elbow • Flareless Tube End/Swivel Nut End

C6500 MS51852 SAE 080221	Tube Fitting Part #	Tube O.D.	T/T6	D/D1	K	M	M5	M11	Y Across Wrench Flats	Dynamic Pressure Rtg
	F-4-SE	1/4	7/16-20	.203	.234	.89	1.05	.75	7/16	5000
	F-6-SE	3/8	9/16-18	.282	.250	1.05	1.28	.94	9/16	5000
	F-8-SE	1/2	3/4-16	.422	.305	1.25	1.47	1.07	3/4	5000
	F-10-SE	5/8	7/8-14	.500	.350	1.42	1.61	1.20	7/8	4500
	F-12-SE	3/4	1 1/16-12	.656	.350	1.58	1.77	1.29	1 1/16	4000
	F-16-SE	1	1 5/16-12	.875	.415	1.73	1.86	1.43	1 5/16	3000

Swivel Nut Run Tee • Flareless Tube End/Swivel Nut End

C6602 MS51854 SAE 080432	Tube Fitting Part #	Tube O.D.	T/T6	C3 Hex	D/D1	K	M	M5	M11	Y Across Wrench Flats	Dynamic Pressure Rtg
	F-4-SRT	1/4	7/16-20	9/16	.203	.234	.89	1.05	.75	7/16	5000
	F-6-SRT	3/8	9/16-18	11/16	.282	.250	1.05	1.28	.94	9/16	5000
	F-8-SRT	1/2	3/4-16	7/8	.422	.305	1.25	1.47	1.07	3/4	5000
	F-12-SRT	3/4	1 1/16-12	1 1/4	.656	.350	1.58	1.77	1.29	1 1/16	4000
	F-16-SRT	1	1 5/16-12	1 1/2	.875	.415	1.73	1.86	1.43	1 5/16	3000

F-SRT

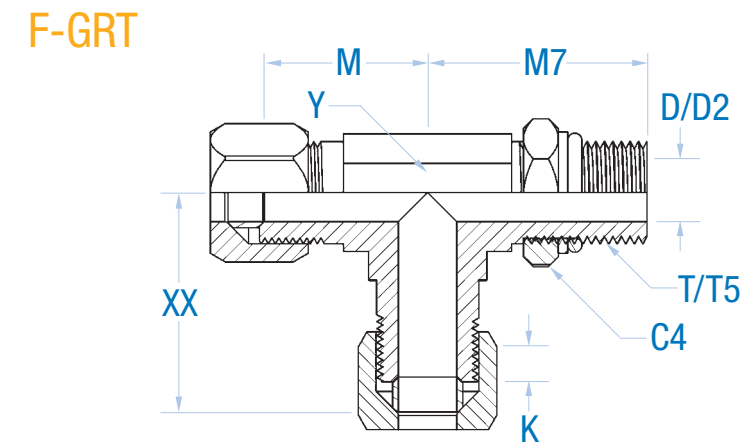
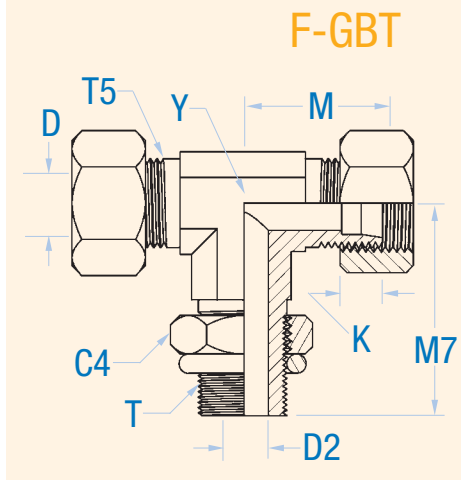
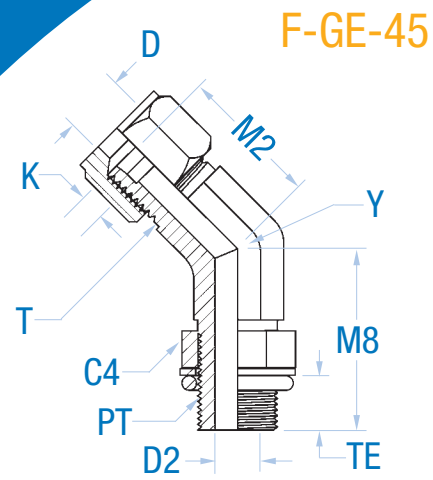
C6602  
MS51854  
SAE 080432

F-GE

Straight Thread Elbow • Flareless Tube End/Straight Thread O-Ring

C6801 MS51839 SAE 080320	Tube Fitting Part #	Tube O.D.	T Tube End UN/UNF-2A	PT Port THD	C4 Hex	D Drill	D2 Drill	K	M	M7	TE After Assy.	Y Across Wrench Flats	Dynamic Pressure Rtg
	F-3-GE	3/16	3/8-24	3/8-24	1/2	.125	.125	.24	.84	.94	.64	7/16	5000
	F-4-GE	1/4	7/16-20	7/16-20	9/16	.203	.203	.24	.89	1.03	.67	7/16	5000
	F-5-GE	5/16	1/2-20	1/2-20	5/8	.234	.234	.26	.95	1.13	.77	9/16	5000
	F-6-GE	3/8	9/16-18	9/16-18	11/16	.282	.282	.26	1.05	1.25	.86	9/16	5000
	F-6-8-GE	3/8	9/16-18	3/4-16	7/8	.282	.422	.26	1.14	1.45	1.01	3/4	5000
	F-8-GE	1/2	3/4-16	3/4-16	7/8	.422	.422	.31	1.25	1.45	1.01	3/4	5000
	F-8-6-GE	1/2	3/4-16	9/16-18	11/16	.422	.282	.31	1.27	1.33	.94	3/4	5000
	F-8-10-GE	1/2	3/4-16	7/8-14	1	.422	.500	.31	1.34	1.70	1.20	7/8	4500
	F-8-12-GE	1/2	3/4-16	1 1/16-12	1 1/4	.422	.656	.31	1.43	1.94	1.35	1 1/16	4000
	F-10-GE	5/8	7/8-14	7/8-14	1	.500	.500	.36	1.42	1.70	1.20	7/8	4500
	F-12-GE	3/4	1 1/16-12	1 1/16-12	1 1/4	.656	.656	.36	1.58	1.94	1.35	1 1/16	4000
	F-12-8-GE	3/4	1 1/16-12	3/4-16	7/8	.656	.422	.36	1.58	1.63	1.19	1 1/16	4500
	F-12-10-GE	3/4	1 1/16-12	7/8-14	1	.656	.500	.36	1.58	1.78	1.28	1 1/16	4000
	F-12-16-GE	3/4	1 1/16-12	1 5/16-12	1 1/2	.656	.875	.36	1.73	2.05	1.46	1 5/16	3000
	F-16-GE	1	1 5/16-12	1 5/16-12	1 1/2	.875	.875	.42	1.73	2.05	1.46	1 5/16	3000
	F-16-12-GE	1	1 5/16-12	1 1/16-12	1 1/4	.875	.656	.42	1.73	2.05	1.46	1 5/16	3000
	F-20-GE	1 1/4	1 5/8-12	1 5/8-12	1 7/8	1.093	1.093	.42	1.89	2.25	1.66	1 5/8	2500
	F-24-GE	1 1/2	1 7/8-12	1 7/8-12	2 1/8	1.344	1.344	.49	2.02	2.39	1.80	1 7/8	2000
	F-32-GE	2	2 1/2-12	2 1/2-12	2 3/4	1.813	1.813	.49	2.45	2.89	2.23	2 1/2	1500

C6801  
MS51839  
SAE 080320



## F-GE-45

Straight Thread Elbow-45 • Flareless Tube End/Straight Thread O-Ring

C6802-45  
MS51842  
SAE 080320

Tube Fitting Part #	Tube O.D.	T Tube End UN/UNF-2A	PT Port THD	C4 Hex	D Drill	D2 Drill	K	M2	M8	TE After Assy.	Y Across Wrench Flats	Dynamic Pressure Rtg
F-4-GE-45	1/4	7/16-20	7/16-20	9/16	.203	.203	.24	.70	1.05	.36	7/16	5000
F-6-GE-45	3/8	9/16-18	9/16-18	11/16	.282	.282	.26	.83	1.14	.39	9/16	5000
F-8-GE-45	1/2	3/4-16	3/4-16	7/8	.422	.422	.31	.98	1.30	.44	3/4	5000
F-12-GE-45	3/4	1 1/16-12	1 1/16-12	1 1/4	.656	.656	.36	1.27	1.73	.59	1 1/16	4000
F-16-GE-45	1	1 5/16-12	1 5/16-12	1 1/2	.875	.875	.42	1.36	1.86	.59	1 5/16	3000

Straight Thread Run Tee • Flareless Tube End/Straight Thread O-Ring

Tube Fitting Part #	Tube O.D.	T/T5	C4 Hex	D/D2	K	M	M7	XX	Y Across Wrench Flats	Dynamic Pressure Rtg
F-4-GRT	1/4	7/16-20	9/16	.203	.234	.89	1.03	.67	7/16	5000
F-6-GRT	3/8	9/16-18	11/16	.282	.250	1.05	1.25	.86	9/16	5000
F-8-GRT	1/2	3/4-16	7/8	.422	.305	1.25	1.45	1.01	3/4	5000
F-10-GRT	5/8	7/8-14	1	.500	.350	1.42	1.70	1.20	7/8	4500
F-12-GRT	3/4	1 1/16-12	1 1/4	.656	.350	1.58	1.94	1.35	1 1/16	4000
F-16-GRT	1	1 5/16-12	1 1/2	.875	.415	1.72	2.05	1.46	1 5/16	3000

C6804-NOW  
MS51892  
SAE 080428

## F-GBT

Straight Thread Branch Tee • Flareless Tube Ends/Straight Thread O-Ring

C6803-NW0  
MS51841  
SAE 080429

Tube Fitting Part #	Tube O.D.	T/T5	C4 Hex	D/D2	K	M	M7	Y Across Wrench Flats	Dynamic Pressure Rtg
F-4-GBT	1/4	7/16-20	9/16	.203	.234	.89	1.03	7/16	5000
F-6-GBT	3/8	9/16-18	11/16	.282	.250	1.05	1.25	9/16	5000
F-8-GBT	1/2	3/4-16	7/8	.422	.250	1.25	1.45	3/4	5000
F-10-GBT	5/8	7/8-14	1	.500	.350	1.42	1.70	7/8	4500
F-12-GBT	3/4	1 1/16-12	1 1/4	.656	.350	1.58	1.94	1 1/16	4000
F-16-GBT	1	1 5/16-12	1 1/2	.875	.415	1.73	2.05	1 5/16	3000



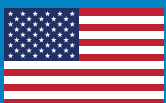
OmegaOne

P 800.333.2636

F 888.900.1615

[sales@Omega1.com](mailto:sales@Omega1.com)

[www.Omega1.com](http://www.Omega1.com)



Made in the USA



MEMBER  
THE ASSOCIATION FOR HOSE AND  
ACCESSORIES DISTRIBUTION